

R-9976

Hydraulic Axial Direct Drive

CONSTRUCTION • MINING • AGRICULTURE

New for 2015, the updated R-9976 is now available in three different motor sizes:

R-9976-5P = 8cc/rev (same as current dash-3 assembly)

R-9976-6P = 14cc/rev

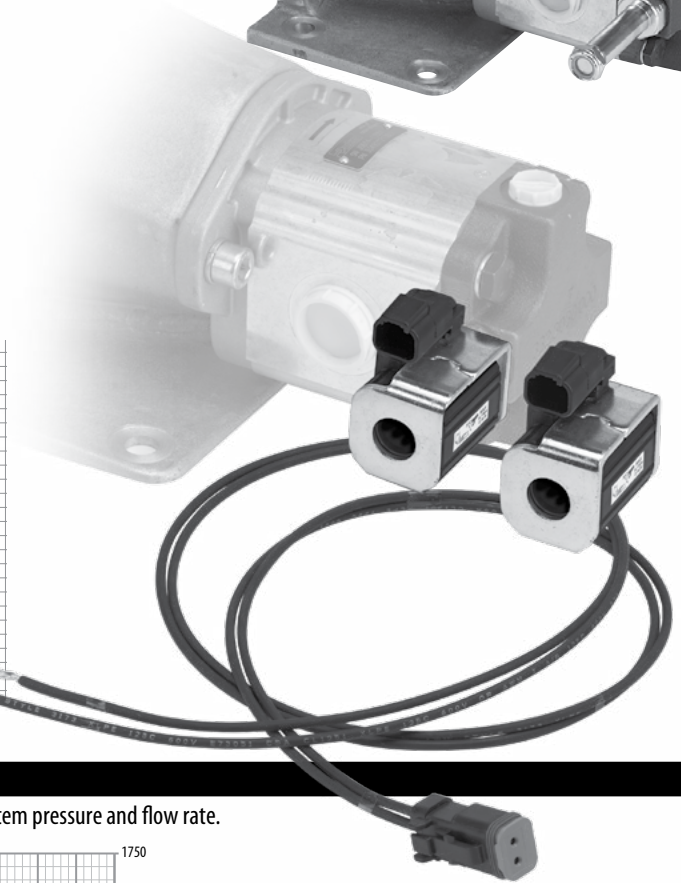
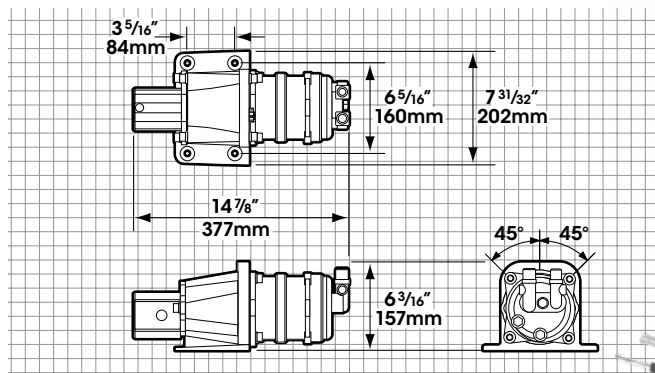
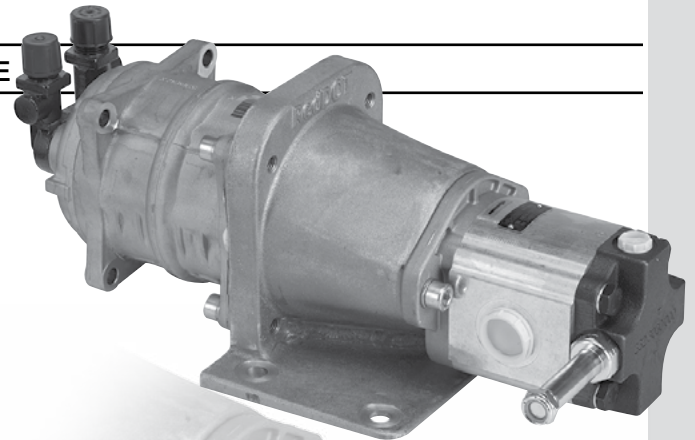
R-9976-7P = 23cc/rev

The new hydraulic motors have integrated on/off solenoid valve and bypass circuit offering greater hydraulic *flow* range flexibility and greater hydraulic *pressure* range flexibility.

Earlier versions used an external valve to control the flow of hydraulic fluid to the unit. Red Dot's new design has an on/off valve and bypass circuit built into the motor making it easier to connect only three hydraulic lines; earlier models required as many as seven lines. And the R-9976 requires no external control valves or bypass circuits.

With fewer components and hydraulic connections, the new design is simpler to install and eliminates several potential leak points

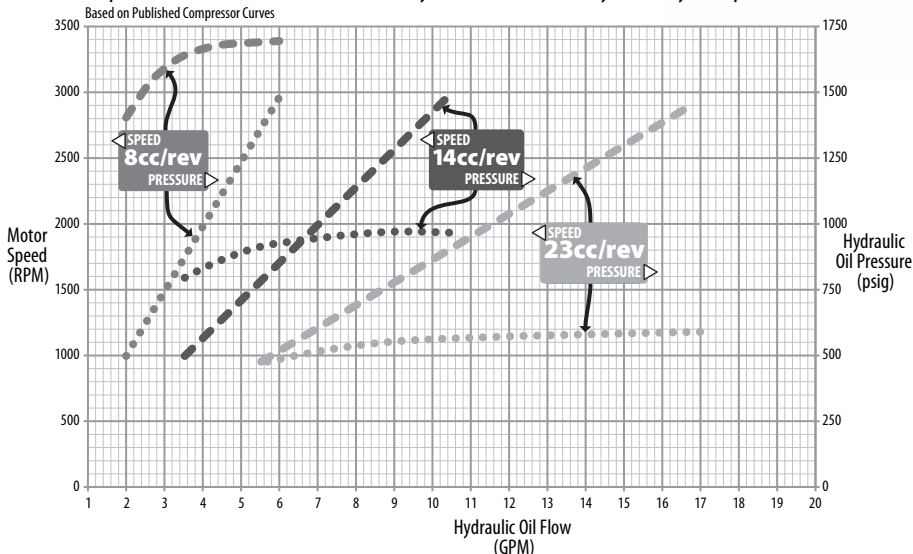
Although the overall unit has a slightly larger footprint, the mounting plate is the same as previous installations.



DIRECT DRIVE UNITS

HYDRAULIC FLOW AND PRESSURE CURVES

It is important to choose the correct assembly based on available hydraulic system pressure and flow rate.



Every R-9976 ships with both 12 and 24 volt coils and the wiring harness to connect it to your vehicle's electronics.

Pressurizer & Remote Mount Filters

Booster Blower

AGRICULTURAL · MINING · INDUSTRIAL

Attaching directly to the 78R5100 and 78R5110 remote mount filters (shown below) the Booster Blower forces dust free air into the cab through our heater and air conditioner units.

PRESSURIZER SPECIFICATIONS

AIR FLOW	140 CFM (238m ³ /h) with filter; 230 CFM (391m ³ /h) free flow
WEIGHT	7 lbs. (3 kg)
MOTOR/FAN	One 12 VDC, single speed (24 VDC available)
CURRENT	10.2 amps @ 13.6 VDC
DRAW	6 amps @ 27.2 VDC
DIMENSIONS	4" inlet 3" outlet
UNITS	73R9202 (12 VDC) 73R9204 (24 VDC)



Remote Mount Filters

The integration of Red Dot's Remote Mount Filters with the Booster Blower guarantees your dust-free working environment.

BACKPACK MOUNT

78R5000



9" Dia x 16" long
(228mm x 464mm)

REPLACEMENT PARTS

Filter Model	78R5000
Filter	78R5200
Hood	RD-5-4288-0P
Band	RD-5-4289-0P
Rubber Elbow	78R5500

HORIZONTAL MOUNT

78R5100



10 1/4" Dia x 18" long
(260mm x 457mm)

REPLACEMENT PARTS

Filter Model	78R5100
Filter	78R5210
Hood	RD-5-5151-0P
Band	RD-5-5150-0P

VERTICAL MOUNT

78R5110



10 1/4" Dia x 23 3/4" long
(260mm x 503mm)

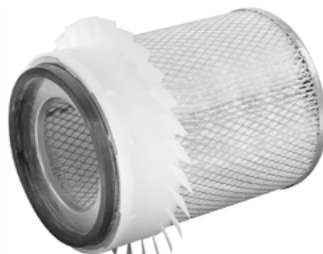
REPLACEMENT PARTS

Filter Model	78R5110
Filter	78R5210
Hood	RD-5-5152-0P
Band	RD-5-5150-0P

* Cab pressure and protection level may vary with individual cab integrity



Intake Replacement Filter
78R5200



Fresh Air Intake Replacement Filter
78R5210



Air Outlet Adapter For Pressurization
72R4531