

R-1630

Heater/Air Conditioner/Defroster Unit

OFF-ROAD • CONSTRUCTION • INDUSTRIAL

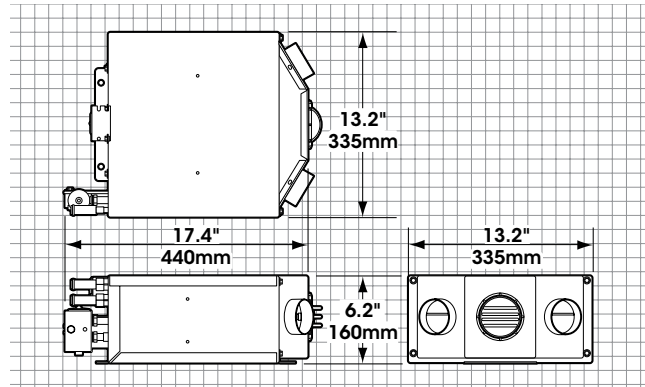
The R-1630 combines powerful heating and cooling with the compact profile you need for tight spaces. It easily mounts under the seat or the package tray, and the louver and duct options let you direct air where you need it..



Shown with optional louvers

R-1630 SPECIFICATIONS

BTUs	Heating - 27,000 BTU/hr @ 100° F (5.7kW @ 37.8° C) air temperature rise Cooling - 17,000 BTU/hr @ with 36° F (9.7 kW with 2.2° C) refrigerant temperature and 80° (26.7° C) wet bulb entering air
AIR FLOW	265 CFM
WEIGHT	25 lbs. (11.3 kg)
CURRENT	17.8 amps @ 13.6 VDC
DRAW	8.9 amps @ 27.2 VDC
MODELS	R-1630-1P (12 VDC) R-1630-1-24P (24 VDC)



OPTIONS:

Louvers

Unit shown with optional louvers.



RD-3-10597-0P

Louvers & Ducts



RD-3-10478-0P

R-1630 SYSTEM ORDERING GUIDE

	R-134a	NOTES	
UNITS	R-1630-1P R-1630-1-24P	12 VDC – Variable Thermostat 24 VDC – Variable Thermostat	
CONDENSER	R-6160 77R0650	ROOF MOUNT RADIATOR MOUNT	See page 58 See page 448
INSTALLATION KIT	78R1070 78R1077 78R1027 78R1025	Rooftop condenser Rooftop condenser Front mount condenser Front mount condenser	ATCO version EZ Clip version EZ Clip version ATCO version
COMPRESSOR	Requires compressor and mounting kit		See 75 Series Compressor section on page 329

OFF-ROAD

R-2300

Ductable Heater/Air Conditioner/Defroster Unit

UNIVERSAL APPLICATIONS

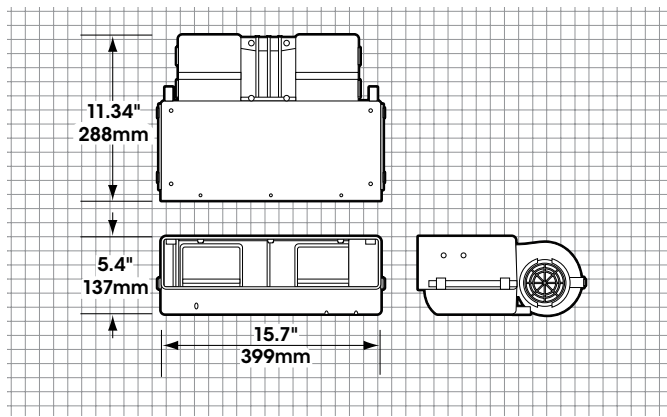
Perfect for lighter-duty vehicles, the versatile R-2300 mounts on the floor, ceiling, or under the dash and is available with optional louvers and air outlets for ducting.



HEATER-A/C

R-2300 SPECIFICATIONS

BTUs	Heating – 32,070 BTU/Hr @ 100°F (9 kW @ 37.8°C) air temperature rise Cooling – 17,736 BTU/Hr @ 36°F (5.2 kW @ 2.2°C) refrigerant temperature and 80°F (26.7°C) wet bulb entering air
WEIGHT	15 lbs. (6.8 kg)
AIR FLOW	275 CFM (467 m³/h)
CURRENT	12.2 amps @ 13.6 VDC (includes 4 amps for A/C clutch)
DRAW	6.1 amps @ 27.2 VDC (includes 2 amps for A/C clutch)



OPTIONS:

2 1/2" Outlet Adapter
RD-1-1651-0P



4 Louver Outlet Adapter
RD-2-3279-0P



2 1/2" Defrost Hose (9')
78R0250



Control Panels (See also 71 Series, Control Panels)

For R-2300-0P & R-2300-0-24P	71R5815	Three-speed motor switch with A/C switch
For R-2300-1P & R-2300-1-24P	71R5821	Heater control - Three-speed motor switch with manual water valve control
	71R5823	Heater control - Three-speed motor switch with electronic water valve control
For R-2300-2P & R-2300-2-24P	71R5600	Three-speed motor switch - includes manual water valve control
	71R5605	Three-speed motor switch - includes electronic water valve control
	71R5122	Three-speed motor switch - includes A/C switch and electronic water valve

R-2300 SYSTEM ORDERING GUIDE

	R-134a	NOTES
UNITS	R-2300-0P R-2300-0-24P R-2300-1P R-2300-1-24P R-2300-2P R-2300-2-24P	A/C Only (12 VDC) A/C Only (24 VDC) Heater Only (12 VDC) Heater Only (24 VDC) Heater A/C (12 VDC) Heater A/C (24 VDC)
CONDENSER		12 & 24 VDC, See 77 Series - Condensers section on page 441
INSTALLATION KIT	78R1027 78R1025	Refrigerant hose, fittings, drier, pressure switch, hardware / EZ Clip version Refrigerant hose, fittings, drier, pressure switch, hardware / ATCO version
COMPRESSOR	Requires compressor and mounting kit	See 75 Series Compressor section on page 329

R-2550

Heater/Air Conditioner

RESCUE VEHICLES

The R-2550 is specifically designed for ambulances and other lighter-duty vehicles with large interior spaces to heat and cool quickly.



R-2550 SPECIFICATIONS

BTUs Heating – 45,900 BTU/Hr @ 100°F (13.4 kW @ 37.8°C) air temperature rise
Cooling – 35,600 BTU/Hr @ 36°F (10.4 kW @ 2.2°C) refrigerant temperature and 80°F (26.7°C) wet bulb entering air

AIR FLOW 390 CFM (662 m³/h)

WEIGHT 39 lbs. (17.7 kg)

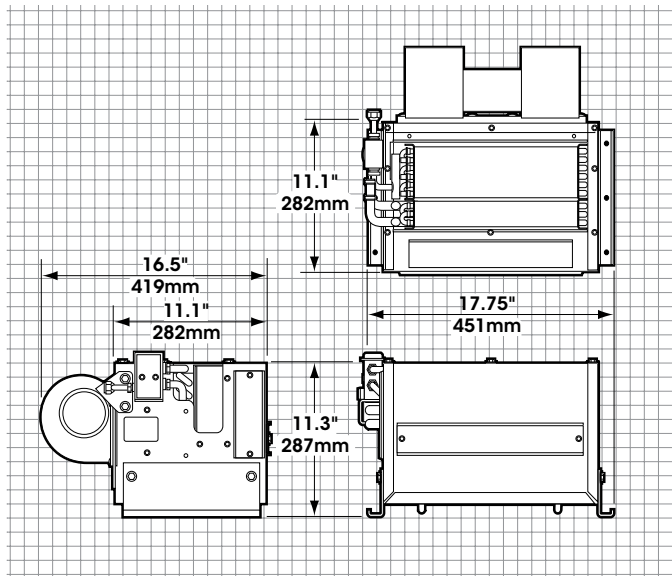
CURRENT DRAW 22 amps @ 13.6 VDC (Heater/AC)

UNITS R-2550-0P Heater/Air Conditioner (12 VDC)

OPTIONS:

Control Panels (See also 71 Series, Control Panels)

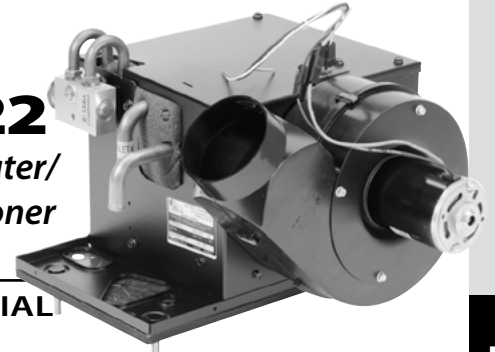
- 71R5600 Three-speed motor switch - includes manual water valve control
- 71R5605 Three-speed motor switch - includes electronic water valve control
- 71R5122 Three-speed motor switch - includes A/C switch and electronic water valve
- 71R5812 Automatic Temperature Control - 12 volt
- 71R5212 Heater-A/C Control - Three-speed motor switch with Red Dot Twin Temp™ Control



R-4122

Sleeper Heater/ Air Conditioner Unit

COMMERCIAL TRUCKS • INDUSTRIAL CABS • VANS



A high-performance heater-A/C unit for big interior spaces, the R-4122 helps keep the sleeper comfortable in any climate. Available with optional sleeper controls and a four-way air diffuser.

R-4122 SPECIFICATIONS

BTUs Heating – 30,573 BTU/Hr @ 100°F (8.9 kW @ 37.8°C) air temperature rise
Cooling – 19,246 BTU/Hr with 36°F (5.6 kW with 2.2°C) refrigerant temperature and 80°F wet bulb entering air

AIR FLOW 283 CFM (481 m³/h)

WEIGHT 28 lbs. (12.7kg)

MOTORS Permanent magnet, three-speed

CURRENT DRAW 18 amps @ 13.6 VDC

UNITS Heater/A/C R-4122-9P 12 VDC

OPTIONS:

Four-Way Air Assembly Diffuser

(outlets are 2 5/8" dia)

RD-3-7646-0P

Plumbing Kit

RD-3-12465-0P

Single Shaft, Single Speed Blower Motor

73R0404

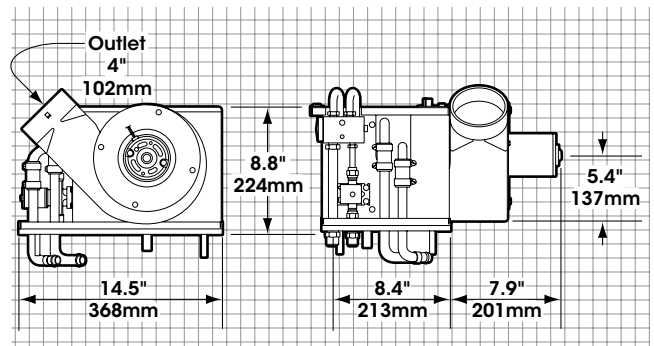
Control Panels (See also 71 Series, Control Panels)

- 71R5600 Three-speed motor switch - includes manual water valve control
- 71R5605 Three-speed motor switch - includes electronic water valve control
- 71R5122 Three-speed motor switch - includes A/C switch electronic water valve
- 71R5812 Automatic Temperature Control - 12 volt
- 71R5212 Heater-A/C Control - three-speed motor switch, Red Dot Twin Temp™ Control

Sleeper Control

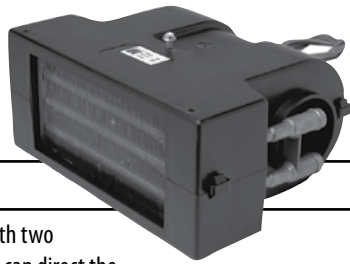
R-4122-9P – 71R5212 (thermostat with fan and mode switch)

Solenoid Valve, 24v
71R9004



R-270

Auxiliary Heater



RV • TRUCKS

The R-270 is a compact heater with two optional "snap-in" outlets so you can direct the air to where you need it.

R-270 SPECIFICATIONS

BTUs	Heating – 15,000 BTU/Hr @ 100°F air temp. rise (4.4 kW @ 34.8°C)
AIR FLOW	140 CFM (237 m ³ /h)
WEIGHT	7 lbs. (3 kg)
MOTORS	One 12 VDC (2-speed)
CURRENT	7.7 amps @ 13.6 VDC
DRAW	3.8 amps @ 27.2 VDC
UNITS	R-270-0P (12 VDC) R-270-0-24P (24 VDC)

OPTIONS:

Snap In Outlets

Straight 2 1/4" Hose Outlet
72R4532

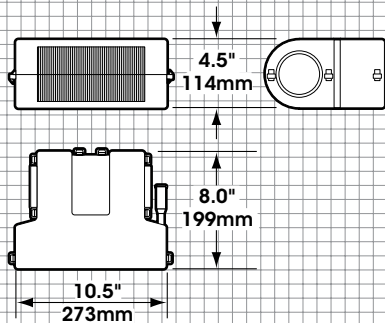


Louvered Outlet
72R3157



Installation Kit
RD-1-1654-0P 12VDC

Control Panel
71R5819
Heater control -
Two-speed motor switch with manual
water valve control



R-273

Auxiliary Heater



RV • TRUCKS

The R-273 is a compact heater with optional "snap-in" outlet so you can direct the air to where you need it.

R-270 SPECIFICATIONS

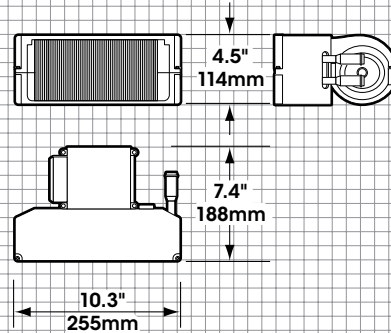
BTUS	Heating – 14,000 BTU/Hr @ 100°F air temp. rise (4.1 kW @ 34.8°C)
AIR FLOW	129 CFM (220 m ³ /h)
WEIGHT	3 lbs. (1.35 kg)
MOTORS	One 12 VDC (3-speed)
CURRENT	4.6 amps @ 13.6 VDC
DRAW	2.3 amps @ 27.2 VDC
UNITS	R-273-0P (12 VDC) R-273-0-24P (24 VDC)

OPTIONS:

Louvers
RD-5-14071-0P



Installation Kit
RD-1-1654-0P



HEATER ONLY

R-290

Auxiliary Heater (Single Blower)

The R-290 is a compact, high-velocity heater with a single three-speed blower motor. A defrost hose adapter is available for ducting air.

R-290 SPECIFICATIONS

BTUS	20,000 BTU/Hr @ 150°F (kw 5.86 @ 65.6°C) air temp. rise	
AIR FLOW	220 CFM (373 m ³ /h)	
WEIGHT	7 lbs. (3 kg)	
CURRENT DRAW	4.3 amps @ 13.6 VDC (high speed) 2.7 amps @ 27.2 VDC (high speed)	
MODELS	R-290-0P	(12 VDC), 5/8 fitting rear exit
	R-290-0-24P	(24 VDC), 5/8 fitting rear exit
	R-290-4P	(12 VDC), 5/8 fitting floor exit
LS	R-290-4-24P	(24 VDC), 5/8 fitting floor exit

LS = Limited to stock on hand

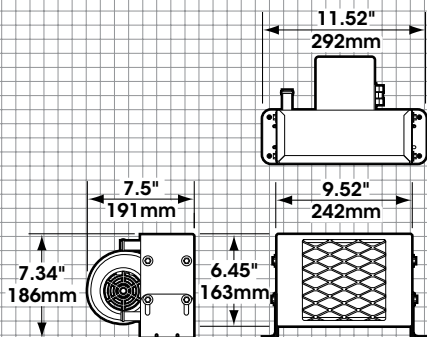


OPTIONS:

Defrost Hose Outlet Adapter	Switch	Knob
3 1/2" RD-1-0639-0P	71R1150	71R4050

Control Panel

71R5821 Heater control – Three-speed motor switch with manual water valve control



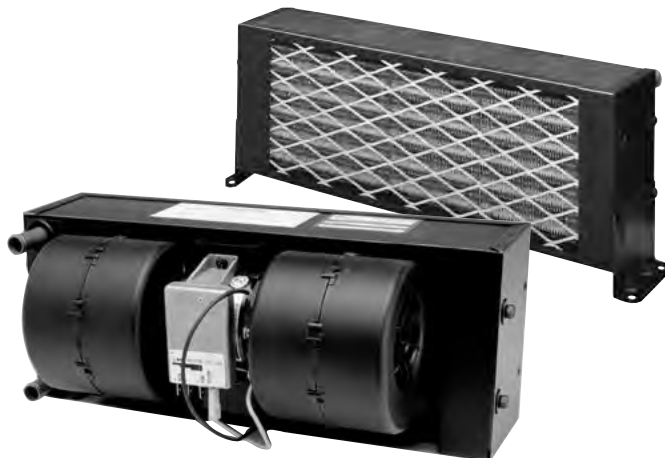
R-295

Auxiliary Heater (Double Blower)

With a three-speed blower motor, the R-295 produces 430 CFM—a powerful, compact, and robust heater. A defrost hose adapter is available for ducting air.

R-295 SPECIFICATIONS

BTUS	35,000 BTU/Hr @ 180°F (kw 10.25 @ 82°C) air temp. rise	
AIR FLOW	430 CFM (730 m ³ /h)	
WEIGHT	11 lbs. (5 kg)	
CURRENT DRAW	16 amps @ 13.6 VDC (high speed) 7 amps @ 27.2 VDC (high speed)	
UNITS	R-295-0P	(12 VDC), 5/8 fitting rear exit
	R-295-0-24P	(24 VDC), 5/8 fitting rear exit
	R-295-4P	(12 VDC), 5/8 fitting floor exit

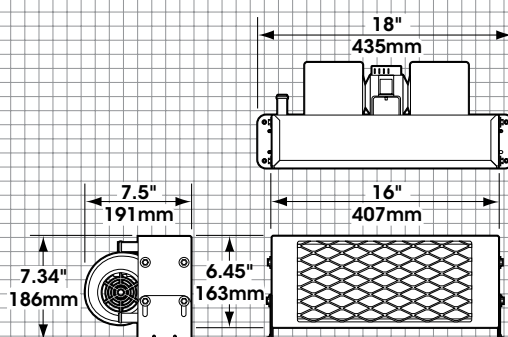


OPTIONS:

Defrost Hose Outlet Adapter	Switch	Knob
3 1/2" RD-1-0639-0P (uses two)	71R1150	71R4050

Control Panel

71R5821 Heater control – Three-speed motor switch with manual water valve control



HEATER ONLY

R-3500 HEATER

Auxiliary Heater

CRASH/FIRE/RESCUE • CREW CABS

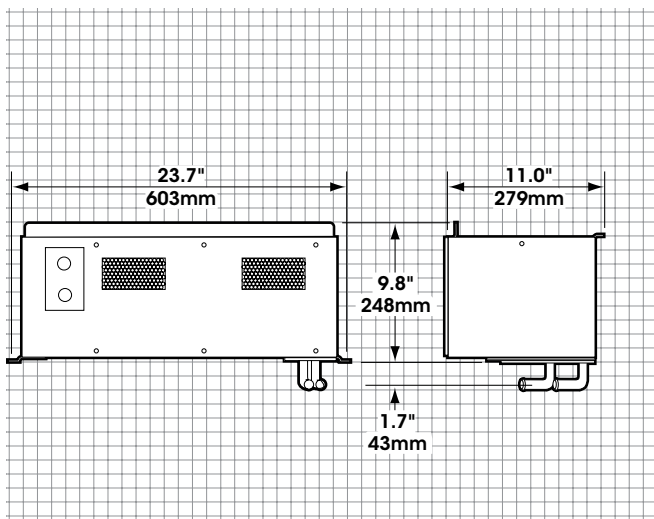
The R-3500 crew cab heater was designed with high performance to be able to heat larger cabs in extreme conditions. Its low profile and heavy duty construction allows this heater to be used in various applications.

R-3500 SPECIFICATIONS

BTUS	Heating – 49,000 BTU/Hr @ 180°F (kw 14.35 @ 82.2°C) temp. rise
AIR FLOW	480 CFM (816 m ³ /h)
WEIGHT	28 lbs. (13 kg)
CURRENT DRAW	15.9 amps @ 13.6 VDC
UNITS	R-3500-1P (12 VDC)



NOTE: Gasket on front



R-3540 HEATERS

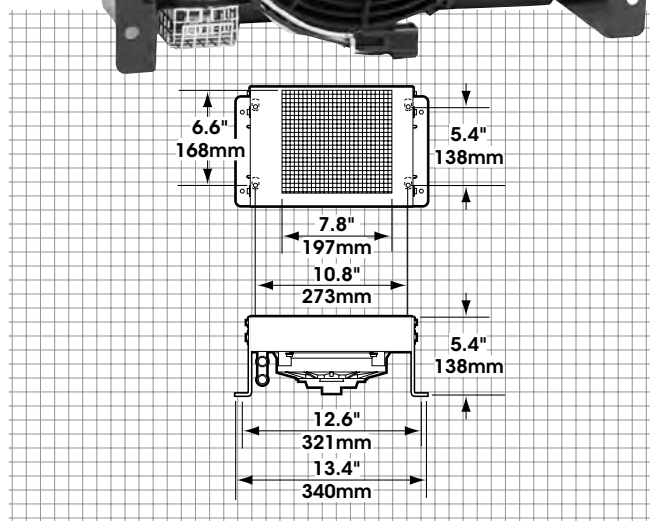
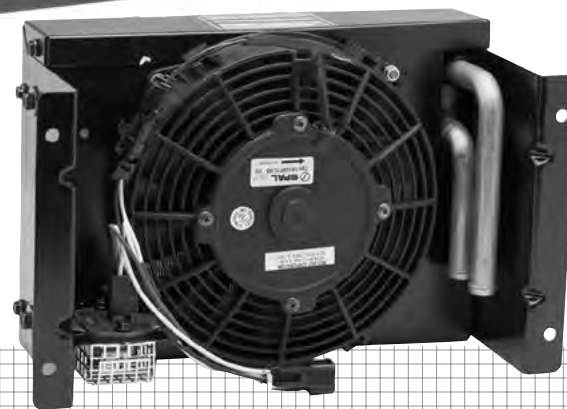
Auxiliary Heater

CRASH/FIRE/RESCUE • VAN • BUS

Designed for small spaces, the R-3540 delivers high capacity for its size. With a pancake fan design, this unit is quiet and moves close to 200 CFM of air. It has versatile mounting (flat or horizontal) and a resistor for variable speed control.

R-3540 SPECIFICATIONS

BTUS	22,970 BTU/Hr @ 180°F (kw 6.73 @ 82.6°C) air temp. rise
AIR FLOW	194 CFM (330 m ³ /h)
WEIGHT	10 lbs. (4.5 kg)
CURRENT DRAW	4.8 amps @ 13.6 VDC
UNITS	R-3540-2P (12 VDC)



HEATER ONLY

R-4013H

Heater/Defroster

CONSTRUCTION •
MINING •
AGRICULTURE •
INDUSTRIAL



The R-4013H is a compact, versatile, and high-output heater/defroster. Like other Red Dot heaters, the tube and fin coil design allows mounting in any position. A diversion door can be manually or cable-actuated to control defrost and heat output. An optional adapter to the heat outlet turns the R-4013 into a dual defroster or multi-compartment heater.

R-4013H SPECIFICATIONS

BTUS	Heating – 20,000 BTU/Hr @ 100°F (5.7 kW @ 37.8°C) air temp. rise
AIR FLOW	185 CFM (314 m ³ /h)
WEIGHT	15.7 lbs. (7.1 kg)
CURRENT DRAW	11 amps @ 13.6 VDC, 5.5 amps @ 27.2 VDC
UNITS	R-4013HP (12 VDC) For 24 volt see R-6130 (right)

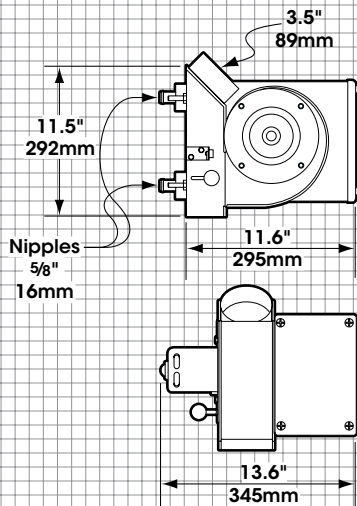
OPTIONS:

Heater Hose 5/8" – 50' 78R0100	3 1/2" Defrost Adapter 72R3550
---	--



Control Panel

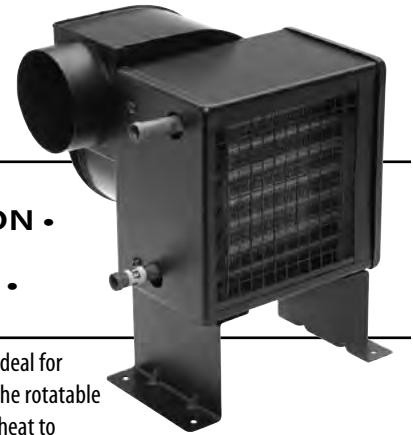
71R5819 Heater control - Two-speed motor switch with manual water valve control



R-6130

Box Heater

BUS •
CONSTRUCTION •
MINING •
AGRICULTURE •
INDUSTRIAL



The R-6130's compact size is ideal for mounting in tight areas and the rotatable blower makes it easy to duct heat to where you need it.

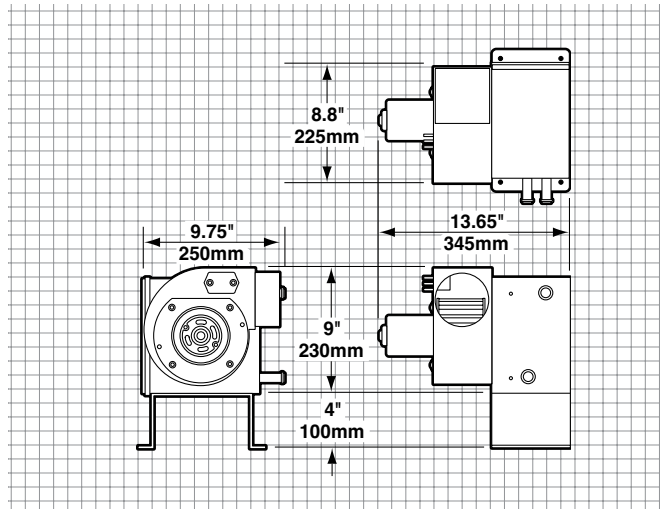
R-6130 SPECIFICATIONS

BTUS	Heating – 28,100 BTU/Hr @ 180°F (8.2 kW @ 37.8°C) air temp. rise
AIR FLOW	283 CFM (481 m ³ /h)
UNITS	R-6130-1P (12 VDC) R-6130-0P (24 VDC)

OPTIONS:

Control Panel

71R5819 Heater control - Two-speed motor switch with manual water valve control



HEATER ONLY

ON-ROAD

R-5040 BACKWALL

Heater with Air Conditioner Option

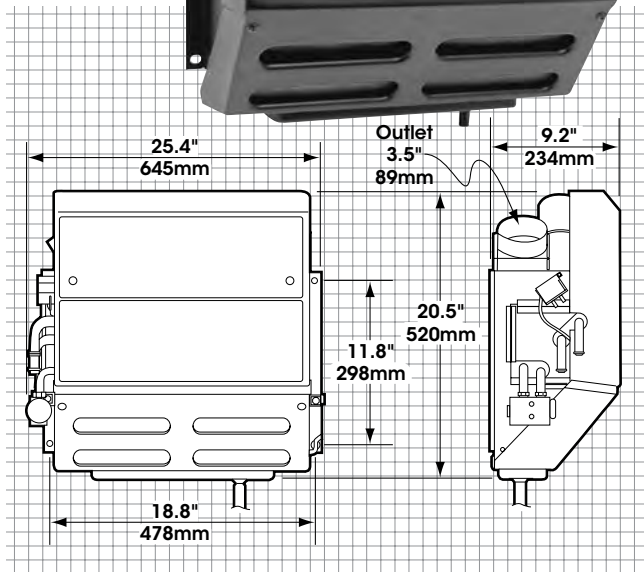
RV • ARMORED CARS •
RESCUE VEHICLES • LARGE CABS

At 425 CFM, the R-5040 is built to heat and cool high-volume interiors. The blower assemblies are easily accessible so the installer can duct the air to where it's needed, and the controls can be remote-mounted for the convenience of the operator.



R-5040 SPECIFICATIONS

BTUs	Heating – 48,000 BTU/Hr @ 100°F (14 kW @ 37°C) air temperature rise Cooling – 32,000 BTU/Hr with 36°F (9.4 kW with 2.2°C) refrigerant temperature and 80°F (26.7°C)
AIR FLOW	425 CFM (722 m³/h)
WEIGHT	Heater – 30 lbs. (14 kg) Heater-A/C – 39 lbs. (18 kg)
MOTOR	Two three-speed
CURRENT	27 amps @ 13.6 VDC (includes 4 amps for A/C clutch);
DRAW	14.5 amps @ 27.2 VDC (including 2 amps for A/C clutch)



R-5040 SYSTEM ORDERING GUIDE

	R-134a	NOTES
UNITS	R-5040-0P R-5040-2P R-5040-4P R-5040-6P	12 VDC Heater 24 VDC Heater 12 VDC Heater/Air Conditioner 24 VDC Heater/Air Conditioner
CONDENSER	77R0700 - Radiator mount R-9730 - Remote mount	See page 449 See page 62
INSTALLATION KIT	78R1070 78R1077 78R1027 78R1025	Rooftop condenser ATCO version Rooftop condenser EZ Clip version Front mount condenser EZ Clip version Front mount condenser ATCO version
COMPRESSOR	Requires compressor and mounting kit	See 75 Series Compressor section on page 329

OPTIONS: Control Panels (See also 71 Series, Control Panels)

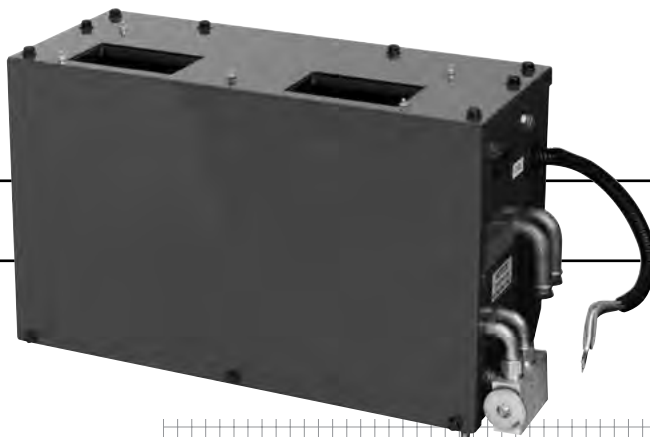
R-5040-0P	71R5821	Heater control - Three-speed motor switch with manual water valve control
R-5040-2P	71R5823	Heater control - Three-speed motor switch with electronic water valve control
R-5040-4P	71R5600	Three-speed motor switch - includes manual water valve control
	71R5605	Three-speed motor switch - includes electronic water valve control
	71R5122	Three-speed motor switch - includes A/C switch and electronic water valve
	71R5812	Automatic Temperature Control - 12 volt
R-5040-6P	71R5600	Three-speed motor switch - includes manual water valve control
	71R5605	Three-speed motor switch - includes electronic water valve control
	71R5122	Three-speed motor switch - includes A/C switch and electronic water valve
	71R5814	Automatic Temperature Control - 24 volt

ON-ROAD

**R-9530 Floor
Heater/Air Conditioner Unit**

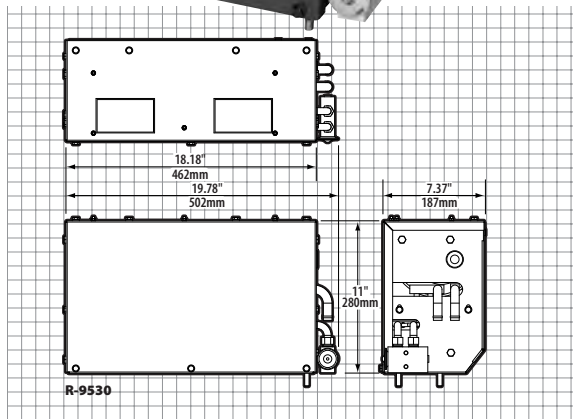
OFF-ROAD • CONSTRUCTION • INDUSTRIAL

The R-9530 wall-mounted unit is a compact, modular blower/heat exchanger package that can accommodate a range of inlet and outlet plenums. Available as a heater-A/C combination or A/C-only.



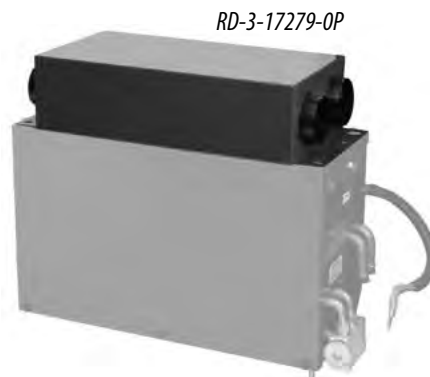
R-9730 SPECIFICATIONS

BTUs	Cooling - 24,500 BTU/Hr Heating - 33,000 BTU/Hr	
AIR FLOW	405 CFM (688 m ³ /h)	
WEIGHT	R-9530-0	20 lbs. (9 kg)
	R-9530-1	25 lbs. (11 kg)
CURRENT	19.9 amps at 13.5 VDC	
DRAW	10.9 amps at 27 VDC	



OPTIONS:

Drain Pan – RD-3-18633-OP



R-9530 SYSTEM ORDERING GUIDE

	R-134a	NOTES	
UNITS	R-9530-0P R-9530-0-24P R-9530-1P R-9530-1-24P	12 VDC - Air Conditioner Only 24 VDC - Air Conditioner Only 12 VDC - Heater / Air Conditioner 24 VDC - Heater / Air Conditioner	
CONDENSER	77R7100 - Radiator Mount R-9725-3P - Remote Mount R-9725-3-24P - Remote Mount	See page 460 12 VDC - See page 62 24 VDC - See page 62	
GENERAL PURPOSE INSTALLATION KIT	78R1705 78R1070 78R1077 78R1027	Remote Mount Rooftop condenser Rooftop condenser Front mount condenser	ATCO version ATCO version EZ Clip version EZ Clip version
COMPRESSOR	Requires compressor and mounting kit		See 75 Series Compressor section on page 329

COMMON REPLACEMENT PARTS

R-1630

Part No.	Factory No.	Description	Notes
73R5532	RD-5-8837-0P	Motor- Double Blower, 12V	A
73R5534	RD-5-8838-0P	Motor Blower Assembly- Double, 24V	B
71R8300	RD-5-6868-0P	Valve- Expansion	
71R3200	RD-5-4531-24P	Thermostat- Side & Bottom Mounted	

Notes: A = R-1630-1P (12V) B = R-1630-1-24P (24V)

R-2000

Part No.	Factory No.	Description	Notes
71R4015	RD-5-8812-0P	Knob- Control, Rotary	
71R1450	RD-5-3647-0P	Resistor- Speed Control, Single Fan	
71R1150	RD-5-3646-0P	Switch- Rotary, 3 Speed	
71R2250	RD-4125-36P	Thermostat	
72R3135	RD-5-10236-0P	Louver	

Notes: A = R-2000-11P (12V) B = R-2000-11-24P (24V)

R-2300

Part No.	Factory No.	Description	Notes
73R5532	RD-5-8837-0P	Motor- Double Blower, 12V	A
73R5534	RD-5-8838-0P	Motor- Double Blower, 24V	B
71R8301	RD-5-6868-0P	Valve- Expansion	
71R3150	RD-5-6429-0P	Thermostat	

Notes: A = R-2300-0P, -1P, -2P (12V) B = R-2300-0-24P, -1-24P, -2-24P (24V)

R-2550

Part No.	Factory No.	Description
73R5622	RD-5-9204-0P	Motor Blower Assembly, 12V
70R8321	RD-5-7015-0P	Valve- Expansion

R-4122

Part No.	Factory No.	Description
	RD-3-4058-0P	Motor/ Blower Assembly
71R8301	RD-5-6868-0P	Valve- Expansion
76R6140	RD-2-1590-0P	Evaporator Assembly

R-3310

Part No.	Factory No.	Description
	RD-3-15167-0P	Motor Blower Assembly
	RD-5-5123-24	Hose, Flex 2- 1/2"

R-5040

Part No.	Factory No.	Description	Notes
	RD-3-3731-0P	Motor Blower Assembly, 12V	B
	RD-3-3731-1P	Motor Blower Assembly, 24V	C
71R8301	RD-5-6868-0P	Valve- Expansion	A
71R3200	RD-5-4531-24P	Thermostat- Side & Bottom Mounted	A

Notes: A = R-5040-4P, -6P (Heater- A/C) B = R-5040-0P, -4P (12V) C = R-5040-2P, -6P (24V)

Part No.	Factory No.	Description	Notes
78R5355	RD-3-10591-0P	Filter- Recirc	
76R2740	RD-1-2069-0P	Core- Heater Assembly	
76R6325	RD-2-3832-0P	Core- Evaporator Assembly	

Part No.	Factory No.	Description	Notes
71R8301	RD-5-6868-0P	Valve- Expansion	
	RD-2-3000-0P	Motor/Blower/Mount Assembly, 12V	A
	RD-2-3000-2P	Motor/Blower/Mount Assembly, 24V	B
76R5200	RD-2-0993-1P	Evaporator Assembly	
	RD-2-5853-0P	Cover Assembly	

Part No.	Factory No.	Description	Notes
	RD-2-5661-0P	Evaporator Assembly	
	RD-1-3436-0P	Core- Heater Assembly	C
	RD-3-12104-0P	Core- Heater/Evaporator	D

C = R-2300-1P, -1-24P D = R-2300-2P, -2-24P

Part No.	Factory No.	Description
76R4020	RD-1-1748-0P	Heater Core Assembly
	RD-2-3812-0P	Evaporator Assembly

Part No.	Factory No.	Description
76R2450	RD-1-0665-0P	Heater Core Assembly
71R1450	RD-5-3647-0P	Resistor

Part No.	Factory No.	Description
74R3077	RD-5-11534-0P	Reciever Drier
	RD-4-7190-0P	Condenser Assembly

Part No.	Factory No.	Description	Notes
71R1450	RD-5-3647-0P	Resistor- Speed Control, Single Fan	
76R7070	RD-2-1370-0P	Evaporator Assembly	A
76R3500	RD-1-0325-0P	Core- Heater	

COMMON REPLACEMENT PARTS

R-5045

Part No.	Factory No.	Description	Notes
	RD-3-3753-0P	Clip Filter	
	RD-5-5428-1P	Filter	
71R2250	RD-4125-36P	Thermostat	
	RD-5-9013-0P	Switch- Rotary, 3 Switch	
	RD-5-11783-0P	Switch- Fan Speed, Rotary	
	RD-5-7999-0P	Converter- Cable, Control	
	RD-5-5505-20	Cable- Control, Double Loop	
71R4015	RD-5-8812-0P	Knob- Control, Rotary	
	RD-3-15381-0	Panel- Control	
	RD-3-15380-0	Control Panel Assembly	A
	RD-3-15504-0	Control Panel Assembly	B
	RD-5-5223-2P	Air Diffuser Assembly	

Part No.	Factory No.	Description	Notes
71R8301	RD-5-6868-0P	Valve- Expansion	
76R7070	RD-2-1370-0P	Evaporator Assembly	
71R1450	RD-5-3647-0P	Resistor	
76R3500	RD-1-0325-0P	Heater Core Assembly	
72R5230	RD-5-7760-2P	Water Valve	
73R7151	RD-3-2557-2P	Blower Wheel	
	RD-3-2547-1P	Blower Assembly	
	RD-3-2547-0P	Blower Assembly	
	RD-5-5049-1P	Motor 12V	C
	RD-5-5049-2P	Motor 24V	D
	RD-3-14440-0P	Cover- Core Front	

Notes: **A** = R-5045-5-P, -5-24P **B** = R-5045-6P -6-24P **C** = R-5045-5P, -6P (12V) **D** = R-5045-5-24P, -6-24P (24V)

R-5075

Part No.	Factory No.	Description
	RD-3-3729-2	Motor Blower Assembly, 12V
	RD-3-3729-3	Motor Blower Assembly, 24V
	RD-3-7254-0P	Plenum Assembly- Control Panel, 12V
	RD-3-7254-1P	Plenum Assembly- Control Panel, 24V
72R5250	RD-5-7760-0P	Valve- Water, Cable Operated
71R8301	RD-5-6868-0P	Valve- Expansion

Notes: **A** = R-5075-0P (12V) **B** = R-5075-0-24P (24V)

Part No.	Factory No.	Description
71R3100	RD-4427-24P	Thermostat
71R1450	RD-5-3647-0P	Resistor- Speed Control, Single Fan
	RD-5-8076-1P	Air Filter
76R7070	RD-2-1370-0P	Evaporator Assembly
76R3500	RD-1-0325-0P	Heater Core

R-6100

Part No.	Factory No.	Description	Notes
	RD-2-1206-0P	Motor Blower Assembly, 12V	A
73R4264	RD-5-5121-2P	Motor 24V	B
73R6300	RD-5-7312-0P	Blower Wheel- CCW	
73R6350	RD-5-7311-0P	Blower Wheel- CW	
	RD-3-4755-2P	Motor- Condenser Assembly, 12V	A
	RD-3-4755-3P	Motor- Condenser Assembly, 24V	B
71R2250	RD-4125-36P	Thermostat	
71R1150	RD-5-3646-0P	Switch- Rotary, 3 Speed	

Notes: **A** = R-6100-4P (12V) **B** = R-6100-4-24P (24V)

Part No.	Factory No.	Description	Notes
71R8301	RD-5-6868-0P	Valve- Expansion	
74R2447	RD-5-7272-1P	Receiver Drier- Assembly	
	RD-5-7297-0P	Fan- 10"	
76R5500	RD-2-1195-0P	Evaporator Assembly	
	RD-2-2890-0P	Drain Pan Assembly	
73R8100	RD-2-1189-0P	Cover Assembly- Outer	
77R0620	RD-4-4738-0P	Condenser Assembly	

R-6101

Part No.	Factory No.	Description	Notes
71R8301	RD-5-6868-0P	Expansion Valve	
73R5534	RD-5-8838-0P	Blower Assy 24V	B
73R5532	RD-5-8837-0P	Blower Assy 12V	A
71R1150	RD-5-3646-0P	Fan Speed Switch	
	RD-5-11990-0P	Pressure Switch - Dual Function	
71R2250	RD-4125-36P	Thermostat	
73R8644	RD-5-9076-3P	Fan/Motor Assy 24V	B

Notes: **A** = R-6101-0P (12V) **B** = R-6101-0-24P (24V)

Part No.	Factory No.	Description	Notes
73R8642	RD-5-9076-2P	Fan/Motor Assy 12V	A
74R2590	RD-5-9419-1P	Receiver Drier	
	RD-2-7179-0P	Evaporator	
	RD-4-7337-0P	Condenser	
	RD-3-19087-0P	Housing Cover	
	RD-2-5974-0P	Plenum	

COMMON REPLACEMENT PARTS

R-6840

Part No.	Factory No.	Description	Notes
73R5572	RD-5-9194-0P	Motor Blower Assembly- 12v	A
73R5584	RD-5-9194-1P	Motor Blower Assembly- 24v	B
71R8301	RD-5-6868-0P	Valve- Expansion	
71R2250	RD-4125-36P	Thermostat	
71R1160	RD-5-9833-0P	Switch- Rotary, 3 Speed (25 amp)	

Notes: A = R-6840-0P (12V) B = R-6840-0-24P (24V)

R-7830

Part No.	Factory No.	Description	Notes
	RD-3-3895-0P	Motor Blower Assembly- 12v	A
	RD-3-3895-1P	Motor Blower Assembly- 24v	B
71R8301	RD-5-6868-0P	Valve- Expansion	
	RD-2-1316-0P	Evaporator Assembly	

Notes: A = R-7830-0P (12V) B = R-7830-0-24P (24V)

R-7833

Part No.	Factory No.	Description	Notes
	450762	Motor Blower Assembly- 12v	A
	450761	Motor Blower Assembly- 24v	B
	301337	Knob, Pointer Push On	
	404379	Louver	

Notes: A = R-7833-0P (12V) B = R-7833-0-24P (24V)

R-8500

Part No.	Factory No.	Description	Notes
	RD-3-14448-0P	Motor Blower Assembly- 12v	A
	RD-3-14448-1P	Motor Blower Assembly- 24v	B
71R8301	RD-5-6868-0P	Valve- Expansion	
	RD-5-4531-24P	Thermostat	
	RD-5-6987-0P	Louver- Driver	

Notes: A = R-8500-2P, -3P (12V) B = R-8500-2-24P, -3-24P (24V)

R-8545

Part No.	Factory No.	Description	Notes
	RD-3-17687-0P	Motor Blower Assembly- 12v	A, C
	RD-3-17687-1P	Motor Blower Assembly- 24v	B, D
	RD-3-13403-0P	Plenum- Control Panel Assembly	A
	RD-3-13403-2P	Plenum- Control Panel Assembly	B
	RD-3-13403-1P	Plenum- Control Panel Assembly	C
	RD-3-13403-3P	Plenum- Control Panel Assembly	D

Notes: A = R-8545-16P B = R-8545-16-24P C = R-8545-17P D = R-8545-17-24P

R-9520

Part No.	Factory No.	Description	Notes
	RD-3-7383-0P	Motor Blower Assembly- 12v	A
	RD-3-7383-1P	Motor Blower Assembly- 24v	B
76R3465	RD-1-2006-0P	Heater Core Assembly	

Notes: A = 9520-0P (12V) B = 9520-0-24P (24V)

Part No.	Factory No.	Description	Notes
71R1450	RD-5-3647-0P	Resistor- Speed Control, Single Fan	
72R3120	RD-5-8436-0P	Louver	
71R4015	RD-5-8812-0P	Knob- Control, Rotary	
76R7555	RD-2-5125-1P	Core- Evaporator Plate/ Fin	

Part No.	Factory No.	Description	Notes
	RD-2-1487-0P	Control Panel Assembly	
	RD-5-5223-0P	Air Diffuser Assembly	
	RD-5-5223-1P	Air Diffuser Assembly	

Part No.	Factory No.	Description	Notes
71R8301	RD-5-6868-0P	Valve- Expansion	
	407995	Evaporator Coil	
	402284A	Switch- Rotary, T-Stat	
	RD-5-13530-0P	Switch- Rotary, Fan	

Part No.	Factory No.	Description	Notes
	RD-5-5222-0P	Louver- Air Diffuser Assembly	
	RD-1-0830-0P	Heater Core Assembly	
	RD-3-6162-1P	Air Filter	
	RD-2-1909-0P	Evaporator Assembly	

Part No.	Factory No.	Description	Notes
72R5220	RD-5-7760-1P	Valve- Water, Cable Operated	A, B
71R8301	RD-5-6868-0P	Valve- Expansion	
71R3100	RD-4427-24P	Thermostat	
78R5340	RD-5-6240-0P	Filter- Recirc	
76R5300	RD-2-1664-0P	Evaporator Assembly	
	RD-1-0771-0P	Heater Core Assembly	A, B

Part No.	Factory No.	Description	Notes
	RD-5-8076-1P	Air Filter	
71R3200	RD-5-4531-24P	Thermostat	
	RD-2-5772-0P	Evaporator Core Assembly	

COMMON REPLACEMENT PARTS

R-9530

Part No.	Factory No.	Description	Notes
	RD-5-8583-0P	Motor Blower Assembly- 12v	A
	RD-5-8583-1P	Motor Blower Assembly- 24v	B
71R8301	RD-5-6868-0P	Valve- Expansion	

Notes: **A** = R-9530-0P, -1P (12V) **B** = R-9530-0-24P, -1-24P (24V)

Part No.	Factory No.	Description	Notes
	406433	Evaporator Coil	
	406434	Heater Coil	
	RD-3-18633-0P	Drain Pan	

R-9560

Part No.	Factory No.	Description	Notes
71R8301	RD-5-6868-0P	Expansion Valve	
	RD-5-10796-0P	Rectangular Louver	
73R5534	RD-5-8838-0P	Blower Assy 24V	B, D
73R5532	RD-5-8837-0P	Blower Assy 12V	A, C
	RD-5-13530-0P	Fan Speed Switch	
	406334	Rotary Switch	A, B

Notes: **A** = 9560-0P (12V) **B** = 9560-0-24P (24V) **C** = R-9560-1P (12V)

Part No.	Factory No.	Description	Notes
	408466	Filter	
	RD-2-6825-0P	Evaporator	C, D
	RD-3-18282-0P	Combo Core	A, B
70R6508	RD-5-8773-0P	#8 Bulkhead fitting	A, B
	RD-6-5893-0P	Electronic Thermostat	

D = R-9560-1-24P (24V)

R-9715

Part No.	Factory No.	Description	Notes
73R5502	RD-3-6770-0P	Motor Blower Assembly- 12v	A
73R5504	RD-3-6770-24P	Motor Blower Assembly- 24v	B
71R8321	RD-5-7015-0P	Valve- Expansion	
71R2250	RD-4125-36P	Thermostat	
71R1150	RD-5-3646-0P	Switch - Rotary, 3 Speed	

Notes: **A** = R-9715-11P (12V) **B** = R-9715-11-24P (24V)

Part No.	Factory No.	Description	Notes
71R1450	RD-5-3647-0P	Resistor- Speed Control, Single Fan	
71R4040	RD-5-5928-0P	Knob- Control	
78R5253M	RD-1-0860-1P	Filter	
76R6040	RD-2-2928-0P	Evaporator Assembly	
	RD-5-8421-5P	Cover- Plastic Housing	

R-9727

Part No.	Factory No.	Description	Notes
	RD-3-3914-2	Condenser motor- 12v	A
	RD-3-3914-3P	Condenser motor- 24v	B
	RD-5-3860-4P	Blower Motor Assembly- 12V	A
	RD-5-3860-5P	Blower Motor Assembly- 24V	B
71R1150	RD-5-3646-0P	Switch- Rotary, 3 Speed	
73R8100	RD-4-3508-0P	Fan	
71R1450	RD-5-3647-0P	Resistor- Speed Control, Single Fan	
	RD-5-4195-0P	Anchor- Rubber, Tie Down	

Notes: **A** = R-9727-2P (12V) **B** = R-9727-2-24P (24V)

Part No.	Factory No.	Description	Notes
	RD-5-3894-1P	Fan- Guard Assembly	
77R0350	RD-4-3586-0P	Condenser Assembly	
76R7100	RD-2-1121-2P	Evaporator Cross Flow	
71R2250	RD-4125-36P	Thermostat	
74R2577	RD-5-7061-6P	Receiver Drier	
72R7050	RD-5-4640-0P	Binary Pressure Switch	
71R8301	RD-5-6868-0P	Valve- Expansion	
	RD-2-1060-0P	Drain Pan Assembly	

R-9750

Part No.	Factory No.	Description	Notes
73R5532	RD-5-8837-0P	Motor- Double Blower, 12V	A
73R5534	RD-5-8838-0P	Motor- Double Blower, 24V	B
	RD-5-5505-33P	Control Cable, Double Loop	C
71R0010	RD-5-3748-0P	Switch- Toggle, SPST	D
	RD-3-7305-0P	Water Valve Assembly	C
71R8301	RD-5-6868-0P	Valve- Expansion	
71R2250	RD-4125-36P	Thermostat	
71R0400	RD-5-0071-0P	Switch- Toggle, SPDT On-On-On	

Notes: **A** = R-9750-9P, -10P (12V) **B** = R-9750-9-24P, -10-24P (24V) **C** = R-9750-9P, -9-24P (HTR-A/C) **D** = R-9750-10P, -10-24P (A/C)

Part No.	Factory No.	Description	Notes
71R0200	RD-4123-2P	Switch- Toggle DPDT	C
72R3120	RD-5-8436-0P	Louver	
71R4015	RD-5-8812-0P	Knob- Control, Rotary	
76R1000	RD-1-0726-0P	Heater Core Assembly	C
78R5310M	RD-3-4804-1P	Filter- Recirc	
76R4900	RD-2-1633-0P	Evaporator Assembly	
	RD-5-7999-1P	Converter- Cable, Control	C

COMMON REPLACEMENT PARTS

R-254

Part No.	Factory No.	Description	Notes
	RD-5-10491-0P	Motor- 12V	A
	RD-5-10491-24P	Motor- 24V	B
	RD-1-0352-0P	Leg Assembly- Mounting	

Notes: A = R-254-0P (12V) B = R-254-0-24P (24V) C = R-254-0P, -0-24P

Part No.	Factory No.	Description	Notes
	RD-1-0355-0P	Core- Heater Assembly	C
	RD-3133-9P	Fan Blade	

R-255

Part No.	Factory No.	Description	Notes
73R0032	RD-5-10491-0P	Motor- 12V	A
73R0034	RD-5-10491-24P	Motor- 24V	B
	RD-1-0352-0P	Leg- Mounting	

Notes: A = R-255-10P (12V) B = R-255-10-24P (24V)

Part No.	Factory No.	Description	Notes
73R8050	RD-3133-9P	Fan Blade	
	RD-1-3538-0P	Core- Heater	

R-290

Part No.	Factory No.	Description	Notes
73R5522	RD-5-8835-0P	Motor Blower Assembly- 12V	A
	RD-5-8836-0P	Motor Blower Assembly- 24V	B
	RD-1-0355-0P	Heater Core Assembly	C

Notes: A = R-290-0P, -4P (12V) B = R-290-0-24P, -4-24P (24V) C = R-290-0P, -0-24P D = R-290-4P, -4-24P

Part No.	Factory No.	Description	Notes
	RD-1-0355-4P	Heater Core Assembly	D
	RD-1-0352-0P	Leg Assembly- Mounting	

R-295

Part No.	Factory No.	Description	Notes
73R5532	RD-5-8837-0P	Motor Blower Assembly- 12V	A, C
73R5534	RD-5-8838-0P	Motor Blower Assembly- 24V	B
	RD-1-0355-2P	Heater Core	A, B

Notes: A = R-295-0P B = R-295-0-24P C = R-295-4P

Part No.	Factory No.	Description	Notes
	RD-1-0355-5P	Heater Core	C
	RD-1-0352-0P	Leg Assembly- Mounting	

R-2020

Part No.	Factory No.	Description	Notes
77R6935	RD-5-4550-0P	Motor- Single Speed- 12V	A
73R0104	RD-5-4550-24P	Motor- Single Speed- 24V	B

Notes: A = R-2020-0P (12V) B = R-2020-0-24P (24V)

Part No.	Factory No.	Description	Notes
73R6251	RD-5-3800-1P	Blower Wheel	
76R0500	RD-1-0427-0P	Heater Core Assembly	

R-3500

Part No.	Factory No.	Description
	RD-2-2701-0P	Motor Blower Assembly
72R5240	RD-5-7760-3P	Valve- Water, Cable Operated
71R1150	RD-5-3646-0P	Switch- Rotary, 3 Speed

Part No.	Factory No.	Description	Notes
71R1450	RD-5-3647-0P	Resistor- Speed Control, Single Fan	
71R4040	RD-5-5928-0P	Knob- Control	
	RD-1-1281-0P	Heater Core Assembly	

R-3540

Part No.	Factory No.	Description	Notes
	RD-5-8759-1P	Fan/ Motor Assembly	
	RD-1-1545-0P	Heater Core Assembly	

Part No.	Factory No.	Description	Notes
71R1450	RD-5-3647-0P	Resistor- Speed Control, Single Fan	

COMMON REPLACEMENT PARTS

R-4013HP

Part No.	Factory No.	Description	Notes
	RD-3-3735-0P	Motor Blower Assembly	

Part No.	Factory No.	Description	Notes
	RD-1-0147-2P	Core- Heater Round Tube & Fin	

R-6130

Part No.	Factory No.	Description	Notes
	RD-3-3728-1P	Motor Blower Assembly- 12V	B
	RD-3-3728-3P	Motor Blower Assembly- 24V	A

Part No.	Factory No.	Description	Notes
	RD-5-9540-0P	Resistor- 3 Speed	
	RD-1-0333-4P	Heater Core Assembly	

Notes: **A** = R-6130-0P (24V) **B** = R-6130-1P (12V)