

OFF-ROAD

Ship LTL Only

R-9727 Rooftop

Air Conditioner

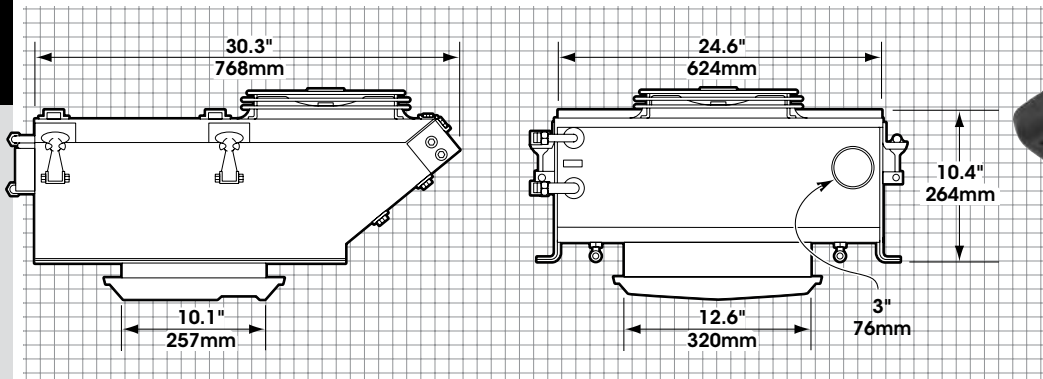
CONSTRUCTION • MINING • AGRICULTURE



Shown with optional hydraulic compressor kit.

The R-9727 sets the standard for rooftop air conditioners in tough work environments. Renowned for its build quality, reliability, and performance, the R-9727 uses a sealed, long-life evaporator and condenser motor with a slinger ring and hubcap for protection from weather and dust. The heavy-gauge steel casing is gusseted and reinforced for structural integrity. Rubber hood tie-downs unlatch to easily expose the components for service. Options include a hydraulic compressor kit, remote-mount filter, and in-line booster blower for a pressurized, dust-free cab.

HEATER-A/C



Low profile ceiling plenum blends with any interior.

R-9727 SPECIFICATIONS

BTUS	Cooling – 22,000 BTU/Hr with 36°F (6.4 kw w/2.2°C) refrigerant temperature and 80°F (26.7°C) wet bulb entering air	
AIR FLOW	Evaporator – 320 CFM (544 m3/h) Condenser – 850 CFM (1444 m3/h)	
WEIGHT	104 Lbs (47 Kg)	
MOTORS	Evaporator – One 12 VDC, three-speed, 24 VDC available	Condenser – One 12 VDC, single-speed, 24 VDC available
CURRENT	29 amps @ 13.6 VDC (includes 4 amps for A/C clutch)	
DRAW	15 amps @ 27.2 VDC (includes 2 amps for A/C clutch)	
CONTROLS	Three speed blower and adjustable thermostat	

R-9727 SYSTEM ORDERING GUIDE

	R-134a	NOTES
UNITS	R-9727-2P R-9727-2-24P	12 VDC 24 VDC
CONDENSER	Contained in R-9727 Unit	
INSTALLATION KIT	78R1605	Refrigerant hose and fittings
OPTIONS	Winter Cover Stiffener Brackets Remote Mount Filters ** Remote Mount Filters ** Replacement Filters Replacement Gasket Kit Replacement Recirc. Filter Pressurizer Inlet Cap In-Line Booster Pressurizers * Replacement Receiver Drier Replacement Plenum Hydraulic Compressor Kit	RD-5-4031-0P RD-3-5790-0P 78R5100 (Horizontal) 78R5110 (Vertical) 78R5210 (Remote Mount) RD-2-0961-0P 78R5300 RD-5-6423-0P 73R9202 (12 VDC) For use with Remote Mount Filters 73R9204 (24 VDC) 74R2536 RD-2-5974-0P RD-5-13484-0P
COMPRESSOR	Requires compressor and mounting kit	See 75 Series Compressor section on page 329

* Booster Pressurizer Can Only Be Used With Remote Mount Filters

** Must be used with In-line Booster Pressurizer

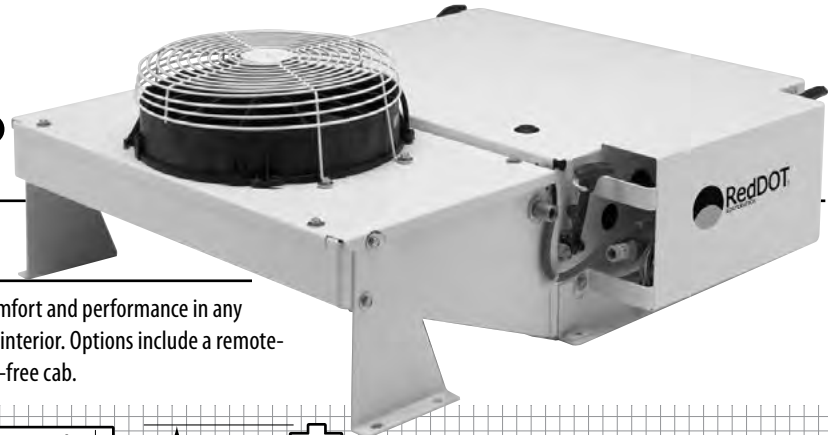
OFF-ROAD

Ship LTL Only

R-9757 Rooftop

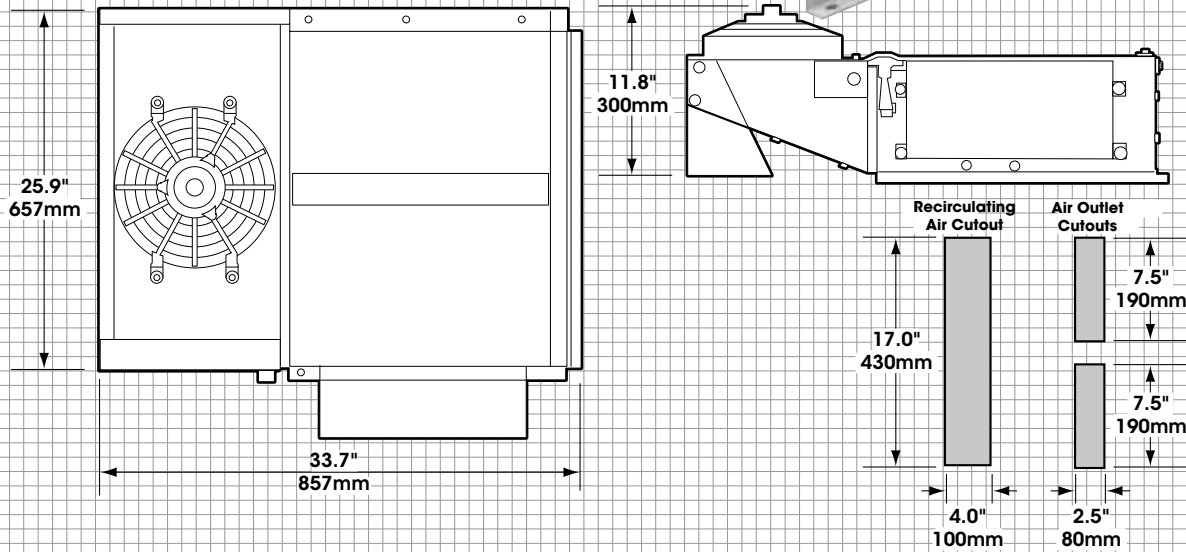
Heater/Air Conditioner

CONSTRUCTION • MINING • AGRICULTURE



With heating and cooling, the R-9757 rooftop unit delivers comfort and performance in any environment. The low-profile ceiling plenum blends with any interior. Options include a remote-mount filter and in-line booster blower for a pressurized, dust-free cab.

HEATER-A/C



R-9757 SPECIFICATIONS

BTUs	Heating – 45,000 BTU/Hr @ 100°F (13.2 kw @ 37.8°C) air temperature rise Cooling – 25,000 BTU/Hr with 36°F (7.3 kw with 2.2°C) refrigerant temperature and 80°F (26.7°C) wet bulb entering air	
AIR FLOW	400 CFM (680 m³/h)	
WEIGHT	135 lbs. (61kg)	
MOTORS	Evaporator – One 12 VDC, three speed (24 VDC available)	Condenser – One 12 VDC low profile (24 VDC available)
CURRENT	38.2 amps @ 13.6 VDC (includes 4 amps for A/C clutch)	
DRAW	19.1 amps @ 27.2 VDC (includes 2 amps for A/C clutch)	

R-9757 SYSTEM ORDERING GUIDE

	R-134a	NOTES	
UNITS	R-9757-0P R-9757-0-24P	12 VDC - Heater A/C 24 VDC - Heater A/C	
CONDENSER	Contained in the R-9757		
INSTALLATION KIT	78R1805	Refrigerant hose, fittings and hardware.	
OPTIONS	Replacement Filter Paper Replacement Filter Remote Mount Filters ** Replacement Filters Replacement Gasket Kit Replacement Recirc. Filter In-Line Booster Pressurizers * Replacement Receiver Drier	RD-3-6406-1P RD-3-6407-0P 78R5100 78R5110 78R5210 RD-3-9706-0P 78R5370 73R9202 73R9204 74R2546	(Fresh Air Filter Box) (Fresh Air Filter Box) (Horizontal) (Vertical) (Remote Mount) (Gasket Kit) (12 VDC) For use with Remote Mount Filters (24 VDC)
COMPRESSOR	Requires compressor and mounting kit		See 75 Series Compressor section on page 329

* Booster Pressurizer can only be used with Remote Mount Filters

** Must be used with In-line Booster Pressurizer

OFF-ROAD

R-9765 Rooftop

Heater/Air Conditioner Unit

OFF-ROAD • CONSTRUCTION • INDUSTRIAL

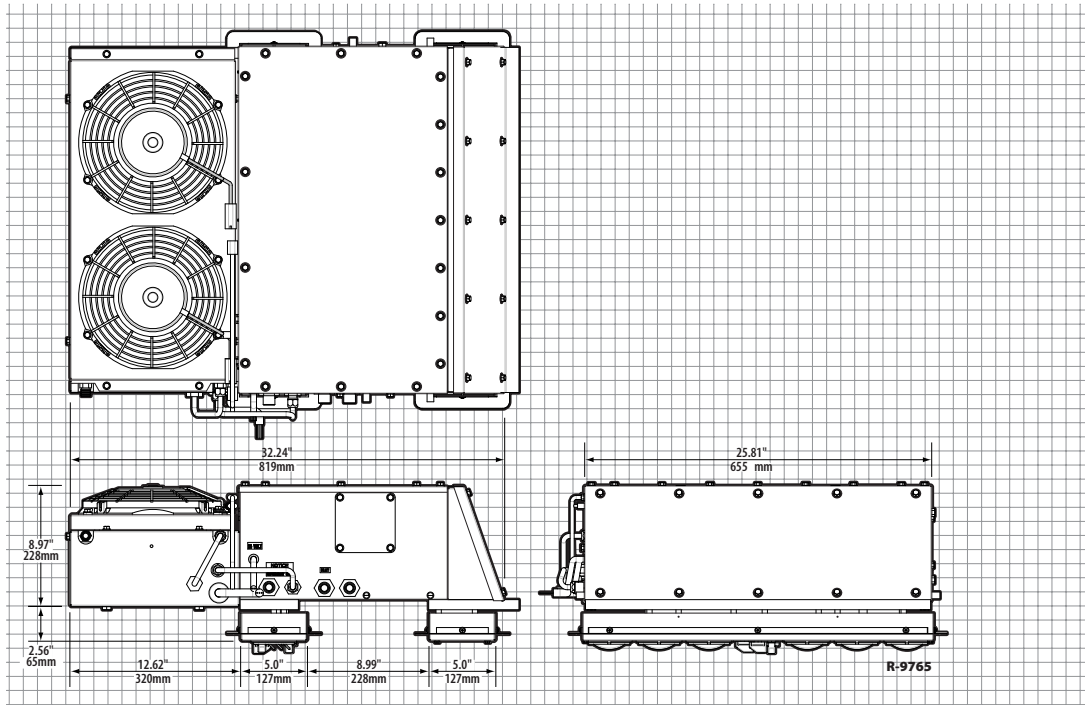
The R-9765 is designed as a direct-fit replacement for the Caterpillar wheel loader rooftop unit along with other applications from Cat and Kress.



HEATER-A/C

R-9765 SPECIFICATIONS

BTUs	Cooling - 27,000 BTU/Hr Heating - 48,000 BTU/Hr
AIR FLOW	415 CFM (705 m3/h)
WEIGHT	70 lbs. (32kg)
CURRENT	32 amps at 13.5 VDC
DRAW	17.6 amps at 27 VDC



R-9757 SYSTEM ORDERING GUIDE

	R-134a	NOTES
UNITS	R-9765-0P R-9765-0-24P	12 VDC - Heater A/C 24 VDC - Heater A/C
CONDENSER	Contained in the R-9765	
INSTALLATION KIT	78R1805	Refrigerant hose, fittings and hardware.
COMPRESSOR	Requires compressor and mounting kit	See 75 Series Compressor section on page 329

ON-ROAD/OFF-ROAD

R-9777 Rooftop

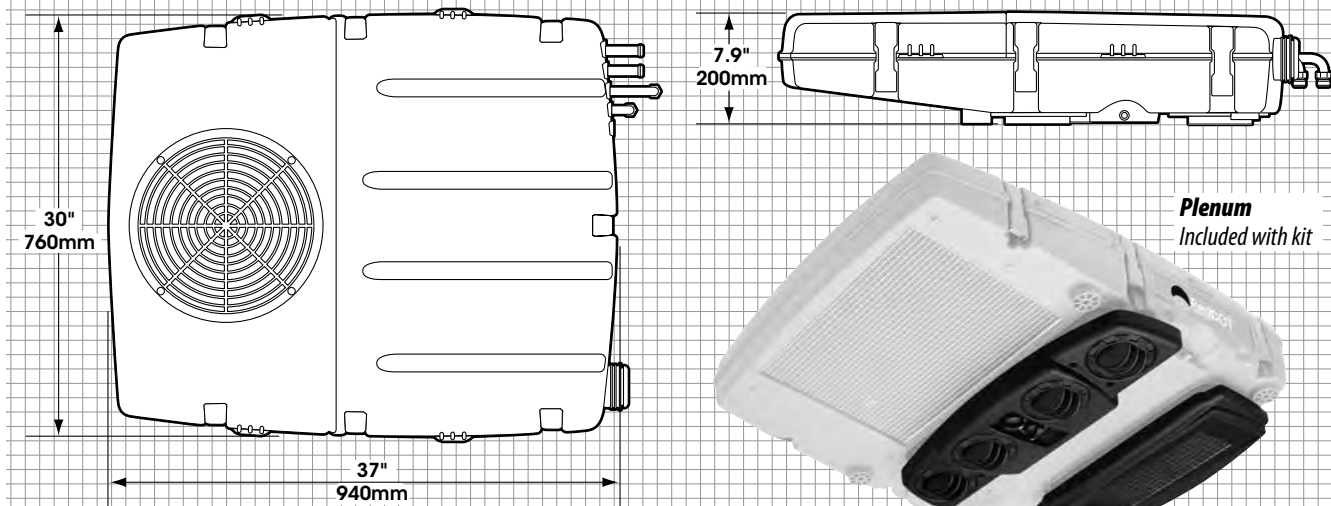
Heater/Air Conditioner

**CONSTRUCTION •
MINING •
AGRICULTURE**



The R-9777 rooftop unit packages high-performance heating and cooling capacity into a tough, sleek engineered-resin housing. At just 7.9 inches high and 65 lbs., it has the low profile and low weight necessary for installation and durability on many equipment cabs. Optional equipment includes a remote-mount filter and in-line booster blower for a pressurized, dust-free cab.

HEATER-A/C



R-9777 SPECIFICATIONS

BTUs	Heating – 45,000 BTU/Hr @ 100°F (13.2 kW @ 37.8°C) air temperature rise Cooling – 25,000 BTU/Hr with 36°F (7.3 kW with 2.2°C) refrigerant temperature and 80°F (26.7°C) wet bulb entering air	
AIR FLOW	355 CFM (580 m³/h)	
WEIGHT	65 lbs.	
MOTORS	Evaporator – One 12 VDC, three speed (24 VDC available)	Condenser – One 12 VDC, low profile (24 VDC available)
CURRENT DRAW	38.2 amps @ 13.6 VDC (includes 4 amps for A/C clutch) 19.1 amps @ 27.2 VDC (includes 2 amps for A/C clutch)	

R-9777 SYSTEM ORDERING GUIDE

	R-134a	NOTES
UNITS	R-9777-0P R-9777-0-24P R-9777-1P R-9777-1-24P	Heater A/C 12VDC Heater A/C 24VDC A/C Only 12VDC A/C Only 24VDC
CONDENSER	Contained in the R-9777	
INSTALLATION KIT	78R1805	Refrigerant hose, fittings and hardware.
OPTIONS	Remote Mount Filters ** Replacement Filters Replacement Gasket Kit In-Line Booster Pressurizers * Replacement Receiver Drier	78R5100 (Horizontal) 78R5110 (Vertical) 78R5210 (Remote Mount) RD-3-10210-0P 73R9202 (12 VDC) For use with Remote Mount Filters 73R9204 (24 VDC) 74R2546, 74R2590
COMPRESSOR	Requires compressor and mounting kit	See 75 Series Compressor section on page 329

* Booster Pressurizer Can Only Be Used With Remote Mount Filters

** Must be used with In-line Booster Pressurizer

OFF-ROAD

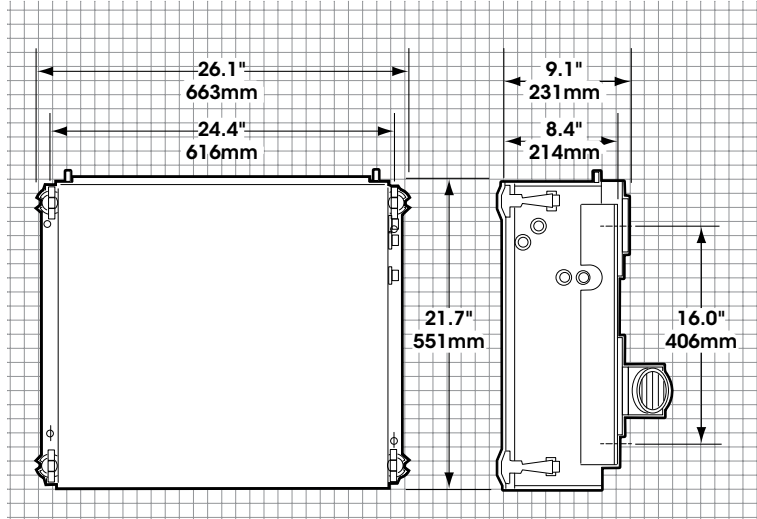
R-9800 RoofTop or Side Mount

Heater/Air Conditioner Unit

CONSTRUCTION • MINING • AGRICULTURE

Vertical or horizontal—the R-9800 mounts either way to fit your space. The control panel can be remote-mounted for the convenience of the operator. Rubber tie-downs unlatch for easy servicing of all components. Optional equipment includes a remote-mount filter and in-line booster blower for a pressurized, dust-free cab.

HEATER-A/C



R-9800 SPECIFICATIONS

BTUs	Heating – 45,000 BTU/Hr @ 100°F (13.2 kW @ 37.8°C) air temperature rise Cooling – 25,000 BTU/Hr with 36°F (7.3 kW @ 2.2°C) refrigerant temperature and 80°F (26.7°C) wet bulb entering air
AIR FLOW	400 CFM (680 m³/h)
WEIGHT	70 lbs. (32 kg)
MOTORS	One 12 VDC, three-speed (24 VDC available)
CURRENT	22.7 amps @ 13.6 VDC (includes 4 amps for A/C clutch)
DRAW	11.4 amps @ 27.2 VDC (includes 2 amps for A/C clutch)

R-9800 SYSTEM ORDERING GUIDE

	R-134a	NOTES
UNIT	R-9800-0P R-9800-0-24P	12 VDC 24 VDC
CONDENSER	77R0700 Radiator Mount R-9725-3P Remote Mount R-9725-3P Remote Mount	See page 449 See page 62page 62 See page page 62
INSTALLATION KIT	78R1705	Refrigerant hose, fittings and hardware
OPTIONS	Remote Mount Filters ** Replacement Filters Replacement Recirculating Filters Replacement Gasket Kit In-Line Booster Pressurizers * Replacement Receiver Drier Air Outlet Adapter for In-Line Booster Pressurizer	78R5100 (Horizontal) 78R5110 (Vertical) 78R5210 (Remote Mount) 78R5360 RD-3-7837-0P 73R9202 (12 VDC) For use with Remote Mount Filters 73R9204 (24 VDC) 74R2546 72R4531
COMPRESSOR	Requires compressor and mounting kit	See 75 Series Compressor section on page 329

* Booster Pressurizer can only be used with Remote Mount Filters

** Must be used with In-line Booster Pressurizer

COMMON REPLACEMENT PARTS

R-1630

Part No.	Factory No.	Description	Notes
73R5532	RD-5-8837-0P	Motor- Double Blower, 12V	A
73R5534	RD-5-8838-0P	Motor Blower Assembly- Double, 24V	B
71R8300	RD-5-6868-0P	Valve- Expansion	
71R3200	RD-5-4531-24P	Thermostat- Side & Bottom Mounted	

Notes: A = R-1630-1P (12V) B = R-1630-1-24P (24V)

R-2000

Part No.	Factory No.	Description	Notes
71R4015	RD-5-8812-0P	Knob- Control, Rotary	
71R1450	RD-5-3647-0P	Resistor- Speed Control, Single Fan	
71R1150	RD-5-3646-0P	Switch- Rotary, 3 Speed	
71R2250	RD-4125-36P	Thermostat	
72R3135	RD-5-10236-0P	Louver	

Notes: A = R-2000-11P (12V) B = R-2000-11-24P (24V)

R-2300

Part No.	Factory No.	Description	Notes
73R5532	RD-5-8837-0P	Motor- Double Blower, 12V	A
73R5534	RD-5-8838-0P	Motor- Double Blower, 24V	B
71R8301	RD-5-6868-0P	Valve- Expansion	
71R3150	RD-5-6429-0P	Thermostat	

Notes: A = R-2300-0P, -1P, -2P (12V) B = R-2300-0-24P, -1-24P, -2-24P (24V)

R-2550

Part No.	Factory No.	Description
73R5622	RD-5-9204-0P	Motor Blower Assembly, 12V
70R8321	RD-5-7015-0P	Valve- Expansion

R-4122

Part No.	Factory No.	Description
	RD-3-4058-0P	Motor/ Blower Assembly
71R8301	RD-5-6868-0P	Valve- Expansion
76R6140	RD-2-1590-0P	Evaporator Assembly

R-3310

Part No.	Factory No.	Description
	RD-3-15167-0P	Motor Blower Assembly
	RD-5-5123-24	Hose, Flex 2- 1/2"

R-5040

Part No.	Factory No.	Description	Notes
	RD-3-3731-0P	Motor Blower Assembly, 12V	B
	RD-3-3731-1P	Motor Blower Assembly, 24V	C
71R8301	RD-5-6868-0P	Valve- Expansion	A
71R3200	RD-5-4531-24P	Thermostat- Side & Bottom Mounted	A

Notes: A = R-5040-4P, -6P (Heater- A/C) B = R-5040-0P, -4P (12V) C = R-5040-2P, -6P (24V)

Part No.	Factory No.	Description	Notes
78R5355	RD-3-10591-0P	Filter- Recirc	
76R2740	RD-1-2069-0P	Core- Heater Assembly	
76R6325	RD-2-3832-0P	Core- Evaporator Assembly	

Part No.	Factory No.	Description	Notes
71R8301	RD-5-6868-0P	Valve- Expansion	
	RD-2-3000-0P	Motor/Blower/Mount Assembly, 12V	A
	RD-2-3000-2P	Motor/Blower/Mount Assembly, 24V	B
76R5200	RD-2-0993-1P	Evaporator Assembly	
	RD-2-5853-0P	Cover Assembly	

Part No.	Factory No.	Description	Notes
	RD-2-5661-0P	Evaporator Assembly	
	RD-1-3436-0P	Core- Heater Assembly	C
	RD-3-12104-0P	Core- Heater/Evaporator	D

C = R-2300-1P, -1-24P D = R-2300-2P, -2-24P

Part No.	Factory No.	Description
76R4020	RD-1-1748-0P	Heater Core Assembly
	RD-2-3812-0P	Evaporator Assembly

Part No.	Factory No.	Description
76R2450	RD-1-0665-0P	Heater Core Assembly
71R1450	RD-5-3647-0P	Resistor

Part No.	Factory No.	Description
74R3077	RD-5-11534-0P	Reciever Drier
	RD-4-7190-0P	Condenser Assembly

Part No.	Factory No.	Description	Notes
71R1450	RD-5-3647-0P	Resistor- Speed Control, Single Fan	
76R7070	RD-2-1370-0P	Evaporator Assembly	A
76R3500	RD-1-0325-0P	Core- Heater	

COMMON REPLACEMENT PARTS

R-5045

Part No.	Factory No.	Description	Notes
	RD-3-3753-0P	Clip Filter	
	RD-5-5428-1P	Filter	
71R2250	RD-4125-36P	Thermostat	
	RD-5-9013-0P	Switch- Rotary, 3 Switch	
	RD-5-11783-0P	Switch- Fan Speed, Rotary	
	RD-5-7999-0P	Converter- Cable, Control	
	RD-5-5505-20	Cable- Control, Double Loop	
71R4015	RD-5-8812-0P	Knob- Control, Rotary	
	RD-3-15381-0	Panel- Control	
	RD-3-15380-0	Control Panel Assembly	A
	RD-3-15504-0	Control Panel Assembly	B
	RD-5-5223-2P	Air Diffuser Assembly	

Part No.	Factory No.	Description	Notes
71R8301	RD-5-6868-0P	Valve- Expansion	
76R7070	RD-2-1370-0P	Evaporator Assembly	
71R1450	RD-5-3647-0P	Resistor	
76R3500	RD-1-0325-0P	Heater Core Assembly	
72R5230	RD-5-7760-2P	Water Valve	
73R7151	RD-3-2557-2P	Blower Wheel	
	RD-3-2547-1P	Blower Assembly	
	RD-3-2547-0P	Blower Assembly	
	RD-5-5049-1P	Motor 12V	C
	RD-5-5049-2P	Motor 24V	D
	RD-3-14440-0P	Cover- Core Front	

Notes: **A** = R-5045-5-P, -5-24P **B** = R-5045-6P -6-24P **C** = R-5045-5P, -6P (12V) **D** = R-5045-5-24P, -6-24P (24V)

R-5075

Part No.	Factory No.	Description
	RD-3-3729-2	Motor Blower Assembly, 12V
	RD-3-3729-3	Motor Blower Assembly, 24V
	RD-3-7254-0P	Plenum Assembly- Control Panel, 12V
	RD-3-7254-1P	Plenum Assembly- Control Panel, 24V
72R5250	RD-5-7760-0P	Valve- Water, Cable Operated
71R8301	RD-5-6868-0P	Valve- Expansion

Notes: **A** = R-5075-0P (12V) **B** = R-5075-0-24P (24V)

Part No.	Factory No.	Description
71R3100	RD-4427-24P	Thermostat
71R1450	RD-5-3647-0P	Resistor- Speed Control, Single Fan
	RD-5-8076-1P	Air Filter
76R7070	RD-2-1370-0P	Evaporator Assembly
76R3500	RD-1-0325-0P	Heater Core

R-6100

Part No.	Factory No.	Description	Notes
	RD-2-1206-0P	Motor Blower Assembly, 12V	A
73R4264	RD-5-5121-2P	Motor 24V	B
73R6300	RD-5-7312-0P	Blower Wheel- CCW	
73R6350	RD-5-7311-0P	Blower Wheel- CW	
	RD-3-4755-2P	Motor- Condenser Assembly, 12V	A
	RD-3-4755-3P	Motor- Condenser Assembly, 24V	B
71R2250	RD-4125-36P	Thermostat	
71R1150	RD-5-3646-0P	Switch- Rotary, 3 Speed	

Notes: **A** = R-6100-4P (12V) **B** = R-6100-4-24P (24V)

Part No.	Factory No.	Description	Notes
71R8301	RD-5-6868-0P	Valve- Expansion	
74R2447	RD-5-7272-1P	Receiver Drier- Assembly	
	RD-5-7297-0P	Fan- 10"	
76R5500	RD-2-1195-0P	Evaporator Assembly	
	RD-2-2890-0P	Drain Pan Assembly	
73R8100	RD-2-1189-0P	Cover Assembly- Outer	
77R0620	RD-4-4738-0P	Condenser Assembly	

R-6101

Part No.	Factory No.	Description	Notes
71R8301	RD-5-6868-0P	Expansion Valve	
73R5534	RD-5-8838-0P	Blower Assy 24V	B
73R5532	RD-5-8837-0P	Blower Assy 12V	A
71R1150	RD-5-3646-0P	Fan Speed Switch	
	RD-5-11990-0P	Pressure Switch - Dual Function	
71R2250	RD-4125-36P	Thermostat	
73R8644	RD-5-9076-3P	Fan/Motor Assy 24V	B

Notes: **A** = R-6101-0P (12V) **B** = R-6101-0-24P (24V)

Part No.	Factory No.	Description	Notes
73R8642	RD-5-9076-2P	Fan/Motor Assy 12V	A
74R2590	RD-5-9419-1P	Receiver Drier	
	RD-2-7179-0P	Evaporator	
	RD-4-7337-0P	Condenser	
	RD-3-19087-0P	Housing Cover	
	RD-2-5974-0P	Plenum	

COMMON REPLACEMENT PARTS

R-6840

Part No.	Factory No.	Description	Notes
73R5572	RD-5-9194-0P	Motor Blower Assembly- 12v	A
73R5584	RD-5-9194-1P	Motor Blower Assembly- 24v	B
71R8301	RD-5-6868-0P	Valve- Expansion	
71R2250	RD-4125-36P	Thermostat	
71R1160	RD-5-9833-0P	Switch- Rotary, 3 Speed (25 amp)	

Notes: A = R-6840-0P (12V) B = R-6840-0-24P (24V)

R-7830

Part No.	Factory No.	Description	Notes
	RD-3-3895-0P	Motor Blower Assembly- 12v	A
	RD-3-3895-1P	Motor Blower Assembly- 24v	B
71R8301	RD-5-6868-0P	Valve- Expansion	
	RD-2-1316-0P	Evaporator Assembly	

Notes: A = R-7830-0P (12V) B = R-7830-0-24P (24V)

R-7833

Part No.	Factory No.	Description	Notes
	450762	Motor Blower Assembly- 12v	A
	450761	Motor Blower Assembly- 24v	B
	301337	Knob, Pointer Push On	
	404379	Louver	

Notes: A = R-7833-0P (12V) B = R-7833-0-24P (24V)

R-8500

Part No.	Factory No.	Description	Notes
	RD-3-14448-0P	Motor Blower Assembly- 12v	A
	RD-3-14448-1P	Motor Blower Assembly- 24v	B
71R8301	RD-5-6868-0P	Valve- Expansion	
	RD-5-4531-24P	Thermostat	
	RD-5-6987-0P	Louver- Driver	

Notes: A = R-8500-2P, -3P (12V) B = R-8500-2-24P, -3-24P (24V)

R-8545

Part No.	Factory No.	Description	Notes
	RD-3-17687-0P	Motor Blower Assembly- 12v	A, C
	RD-3-17687-1P	Motor Blower Assembly- 24v	B, D
	RD-3-13403-0P	Plenum- Control Panel Assembly	A
	RD-3-13403-2P	Plenum- Control Panel Assembly	B
	RD-3-13403-1P	Plenum- Control Panel Assembly	C
	RD-3-13403-3P	Plenum- Control Panel Assembly	D

Notes: A = R-8545-16P B = R-8545-16-24P C = R-8545-17P D = R-8545-17-24P

R-9520

Part No.	Factory No.	Description	Notes
	RD-3-7383-0P	Motor Blower Assembly- 12v	A
	RD-3-7383-1P	Motor Blower Assembly- 24v	B
76R3465	RD-1-2006-0P	Heater Core Assembly	

Notes: A = 9520-0P (12V) B = 9520-0-24P (24V)

Part No.	Factory No.	Description	Notes
71R1450	RD-5-3647-0P	Resistor- Speed Control, Single Fan	
72R3120	RD-5-8436-0P	Louver	
71R4015	RD-5-8812-0P	Knob- Control, Rotary	
76R7555	RD-2-5125-1P	Core- Evaporator Plate/ Fin	

Part No.	Factory No.	Description	Notes
	RD-2-1487-0P	Control Panel Assembly	
	RD-5-5223-0P	Air Diffuser Assembly	
	RD-5-5223-1P	Air Diffuser Assembly	

Part No.	Factory No.	Description	Notes
71R8301	RD-5-6868-0P	Valve- Expansion	
	407995	Evaporator Coil	
	402284A	Switch- Rotary, T-Stat	
	RD-5-13530-0P	Switch- Rotary, Fan	

Part No.	Factory No.	Description	Notes
	RD-5-5222-0P	Louver- Air Diffuser Assembly	
	RD-1-0830-0P	Heater Core Assembly	
	RD-3-6162-1P	Air Filter	
	RD-2-1909-0P	Evaporator Assembly	

Part No.	Factory No.	Description	Notes
72R5220	RD-5-7760-1P	Valve- Water, Cable Operated	A, B
71R8301	RD-5-6868-0P	Valve- Expansion	
71R3100	RD-4427-24P	Thermostat	
78R5340	RD-5-6240-0P	Filter- Recirc	
76R5300	RD-2-1664-0P	Evaporator Assembly	
	RD-1-0771-0P	Heater Core Assembly	A, B

Part No.	Factory No.	Description	Notes
	RD-5-8076-1P	Air Filter	
71R3200	RD-5-4531-24P	Thermostat	
	RD-2-5772-0P	Evaporator Core Assembly	

COMMON REPLACEMENT PARTS

R-9530

Part No.	Factory No.	Description	Notes
	RD-5-8583-0P	Motor Blower Assembly- 12v	A
	RD-5-8583-1P	Motor Blower Assembly- 24v	B
71R8301	RD-5-6868-0P	Valve- Expansion	

Notes: **A** = R-9530-0P, -1P (12V) **B** = R-9530-0-24P, -1-24P (24V)

Part No.	Factory No.	Description	Notes
	406433	Evaporator Coil	
	406434	Heater Coil	
	RD-3-18633-0P	Drain Pan	

R-9560

Part No.	Factory No.	Description	Notes
71R8301	RD-5-6868-0P	Expansion Valve	
	RD-5-10796-0P	Rectangular Louver	
73R5534	RD-5-8838-0P	Blower Assy 24V	B, D
73R5532	RD-5-8837-0P	Blower Assy 12V	A, C
	RD-5-13530-0P	Fan Speed Switch	
	406334	Rotary Switch	A, B

Notes: **A** = 9560-0P (12V) **B** = 9560-0-24P (24V) **C** = R-9560-1P (12V)

Part No.	Factory No.	Description	Notes
	408466	Filter	
	RD-2-6825-0P	Evaporator	C, D
	RD-3-18282-0P	Combo Core	A, B
70R6508	RD-5-8773-0P	#8 Bulkhead fitting	A, B
	RD-6-5893-0P	Electronic Thermostat	

D = R-9560-1-24P (24V)

R-9715

Part No.	Factory No.	Description	Notes
73R5502	RD-3-6770-0P	Motor Blower Assembly- 12v	A
73R5504	RD-3-6770-24P	Motor Blower Assembly- 24v	B
71R8321	RD-5-7015-0P	Valve- Expansion	
71R2250	RD-4125-36P	Thermostat	
71R1150	RD-5-3646-0P	Switch - Rotary, 3 Speed	

Notes: **A** = R-9715-11P (12V) **B** = R-9715-11-24P (24V)

Part No.	Factory No.	Description	Notes
71R1450	RD-5-3647-0P	Resistor- Speed Control, Single Fan	
71R4040	RD-5-5928-0P	Knob- Control	
78R5253M	RD-1-0860-1P	Filter	
76R6040	RD-2-2928-0P	Evaporator Assembly	
	RD-5-8421-5P	Cover- Plastic Housing	

R-9727

Part No.	Factory No.	Description	Notes
	RD-3-3914-2	Condenser motor- 12v	A
	RD-3-3914-3P	Condenser motor- 24v	B
	RD-5-3860-4P	Blower Motor Assembly- 12V	A
	RD-5-3860-5P	Blower Motor Assembly- 24V	B
71R1150	RD-5-3646-0P	Switch- Rotary, 3 Speed	
73R8100	RD-4-3508-0P	Fan	
71R1450	RD-5-3647-0P	Resistor- Speed Control, Single Fan	
	RD-5-4195-0P	Anchor- Rubber, Tie Down	

Notes: **A** = R-9727-2P (12V) **B** = R-9727-2-24P (24V)

Part No.	Factory No.	Description	Notes
	RD-5-3894-1P	Fan- Guard Assembly	
77R0350	RD-4-3586-0P	Condenser Assembly	
76R7100	RD-2-1121-2P	Evaporator Cross Flow	
71R2250	RD-4125-36P	Thermostat	
74R2577	RD-5-7061-6P	Receiver Drier	
72R7050	RD-5-4640-0P	Binary Pressure Switch	
71R8301	RD-5-6868-0P	Valve- Expansion	
	RD-2-1060-0P	Drain Pan Assembly	

R-9750

Part No.	Factory No.	Description	Notes
73R5532	RD-5-8837-0P	Motor- Double Blower, 12V	A
73R5534	RD-5-8838-0P	Motor- Double Blower, 24V	B
	RD-5-5505-33P	Control Cable, Double Loop	C
71R0010	RD-5-3748-0P	Switch- Toggle, SPST	D
	RD-3-7305-0P	Water Valve Assembly	C
71R8301	RD-5-6868-0P	Valve- Expansion	
71R2250	RD-4125-36P	Thermostat	
71R0400	RD-5-0071-0P	Switch- Toggle, SPDT On-On-On	

Notes: **A** = R-9750-9P, -10P (12V) **B** = R-9750-9-24P, -10-24P (24V) **C** = R-9750-9P, -9-24P (HTR-A/C) **D** = R-9750-10P, -10-24P (A/C)

Part No.	Factory No.	Description	Notes
71R0200	RD-4123-2P	Switch- Toggle DPDT	C
72R3120	RD-5-8436-0P	Louver	
71R4015	RD-5-8812-0P	Knob- Control, Rotary	
76R1000	RD-1-0726-0P	Heater Core Assembly	C
78R5310M	RD-3-4804-1P	Filter- Recirc	
76R4900	RD-2-1633-0P	Evaporator Assembly	
	RD-5-7999-1P	Converter- Cable, Control	C

COMMON REPLACEMENT PARTS

R-9753

Part No.	Factory No.	Description	Notes
	450828	Motor Blower Assembly- 12v	A
	504029	Motor Blower Assembly- 24v	B
	301337	Knob, Pointer Push On	
	402284	Switch, A/C Temp Rotary	
71R8301	RD-5-6868-0P	Valve- Expansion	
72R3135	RD-5-10236-0P	Louver	

Notes: A = R-9753-0P, -1P (12V) B = R-9753-0-24P, -1-24P (24V)

R-9755

Part No.	Factory No.	Description	Notes
73R5662	RD-5-12742-0P	Motor Blower Assembly- 12v	A
73R5664	RD-5-12742-24P	Motor Blower Assembly- 24v	B
71R8301	RD-5-6868-0P	Valve- Expansion	
71R1150	RD-5-3646-0P	Switch- Rotary, 3 Speed	
	RD-6-5893-0P	Electronic Thermostat	

Notes: A = R-9755-0P (12V) B = R-9755-0-24P (24V)

R-9757

Part No.	Factory No.	Description	Notes
	RD-3-7383-0P	Motor Blower Assembly- 12v	A
	RD-3-7383-1P	Motor Blower Assembly- 24v	B
	RD-5-8086-0P	Retainer Assembly	
71R1450	RD-5-3647-0P	Resistor- Speed Control, Single Fan	
74R2447	RD-5-7272-1P	Receiver Drier Assembly	
76R1860	RD-1-1379-0P	Heater Core Assembly	
	RD-5-13259 -4P	Fan/Motor Assembly-12VDC	A
	RD-5-13259-5P	Fan/Motor Assembly-24VDC	B

Notes: A = R-9757-0P B = R-9757-0-24P

R-9759

Part No.	Factory No.	Description	Notes
73R5552	RD-5-8583-0P	Motor Blower Assembly- 12v	
73R5554	RD-5-8583-1P	Motor Blower Assembly- 24v	
	301136	Knob, Female	
	404968	Switch, Thermostat	
71R8301	RD-5-6868-0P	Valve- Expansion	
	405450	Louver 1.42 x 6.10	

Note: A = R-9759-0P, 1P (12V) B = R-9759-0-24P, 1-24P (24V)

Part No.	Factory No.	Description	Notes
	RD-5-13530-0P	Switch, Rotary Fan	
	407800	Evaporator Coil	
	407813	Filter	
	504019	Drain Pan	
	407801	Coil	
	450813	Switch, Pot	

Part No.	Factory No.	Description	Notes
72R3130	RD-5-9024-0P	Louver	
71R4040	RD-5-5928-0P	Knob- Control	
76R4920	RD-2-2047-0P	Evaporator	
78R5350	RD-5-6867-0P	Filter	

Part No.	Factory No.	Description	Notes
76R6015	RD-2-2791-0P	Evaporator Assembly	
72R9005	RD-5-6917-2P	Convertor Control	
77R0660	RD-4-4724-0P	Condenser Assembly	
72R5220	RD-5-7760-1P	Valve- Water, Cable Operated	
71R8301	RD-5-6868-0P	Valve- Expansion	
71R3200	RD-5-4531-24P	Thermostat	
71R7075	RD-5-8433-0P	Switch- Binary, Pressure	

Part No.	Factory No.	Description	Notes
	RD-5-13530-0P	Switch, Rotary, Fan	
	406334	Switch Rotary	
	406401	Evaporator Coil	
	406402	Heater Coil	
	RD-5-14081-0P	Air Filter	
	450794	Water Valve	

COMMON REPLACEMENT PARTS

R-9765

Part No.	Factory No.	Description	Notes
	450819	Motor Blower Assembly- 12v	A
	450818	Motor Blower Assembly- 24v	B
71R1912	RD-5-7232-0P	Relay- 12V	A
71R1904	RD-5-6693-0P	Relay- 24V	B
	450782	Fan- 12V	A
	450814	Fan- 24V	B
	301337	Knob- Pointer Push On	
	404968	Switch, Thermostat	
71R8301	RD-5-6868-0P	Valve- Expansion	

Notes: **A** = R-9765-0P (12V) **B** = R-9765-0-24P (24V)

Part No.	Factory No.	Description	Notes
71R7075	RD-5-8433-0P	Binary Pressure Switch	
	RD-5-13530-0P	Switch, Rotary, Fan	
74R0462	RD-5-7064-1P	Receiver Drier	
	406334	Switch, Rotary	
	407368	Coil Condenser	
	407399	Heater Coil	
	407714	Evaporator Coil	
	504007	Electric Actuator and Bracket	
	450815	Water Valve	

R-9777

Part No.	Factory No.	Description	Notes
73R5552	RD-5-8583-0P	Motor Blower Assembly- 12V	A
73R5554	RD-5-8583-1P	Motor Blower Assembly- 24V	B
73R8642	RD-5-9076-2P	Fan/ Motor Assembly- 12V	A
73R8644	RD-5-9076-3P	Fan/ Motor Assembly- 24V	B
71R1902	RD-5-6690-0P	Relay- 12V	A
71R1904	RD-5-6693-0P	Relay- 24V	B
	RD-3-9137-0P	Converter- Cable Control	C
71R2250	RD-4125-36P	Thermostat	D

Notes: **A** = R-9777-0P, 1P (12V) **B** = R-9777-0-24P, -1-24P (24V) **C** = R-9777-0P, -0-24P (HTR-A/C) **D** = R-9777-1P, -1-24P (A/C)

Part No.	Factory No.	Description	Notes
72R5285	RD-5-9224-1P	Valve- Water, Cable Operated	C
71R8380	RD-5-9513-0P	Valve- Expansion	
71R3200	RD-5-4531-24P	Thermostat- Side & Bottom Mounted	C
71R6150	RD-5-9577-0P	Pressure Switch	
74R2590	RD-5-9419-1P	Receiver Drier	
76R1560	RD-1-1755-0P	Heater Core Assembly	C
76R5820	RD-2-3413-0P	Evaporator Assembly	
77R1290	RD-4-5378-0P	Condenser	

R-9800

Part No.	Factory No.	Description	Notes
	RD-3-7382-0P	Motor Blower Assembly- 12V	A
	RD-3-7382-1P	Motor Blower Assembly- 24V	B
71R3200	RD-5-4531-24P	Thermostat	
71R1450	RD-5-3647-0P	Resistor- Speed Control	

Notes: **A** = R-9800-0P (12V) **B** = R-9800-0-24P (24V)

Part No.	Factory No.	Description	Notes
71R8310	RD-3-7822-0P	Valve- Expansion	
76R5700	RD-2-2885-0P	Evaporator Assembly	
76R1870	RD-1-1480-0P	Heater Core Assembly	